

SUBJECT:

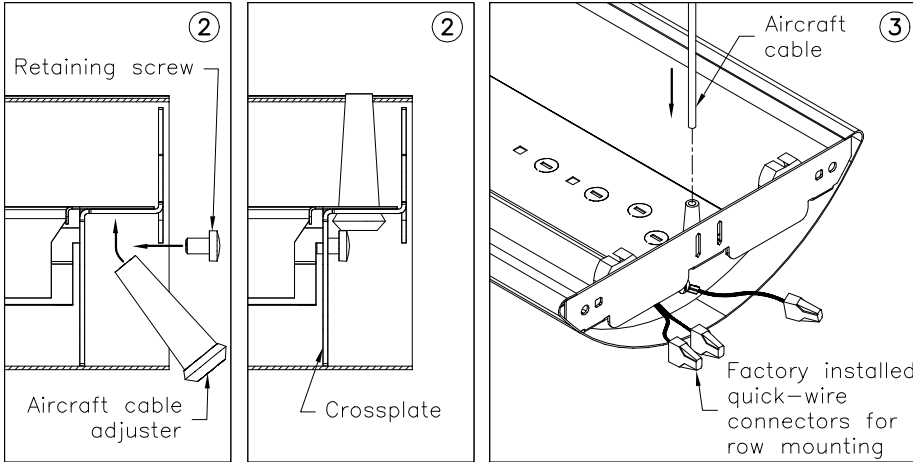
RUBATO INSTALLATION
MOUNT @ END



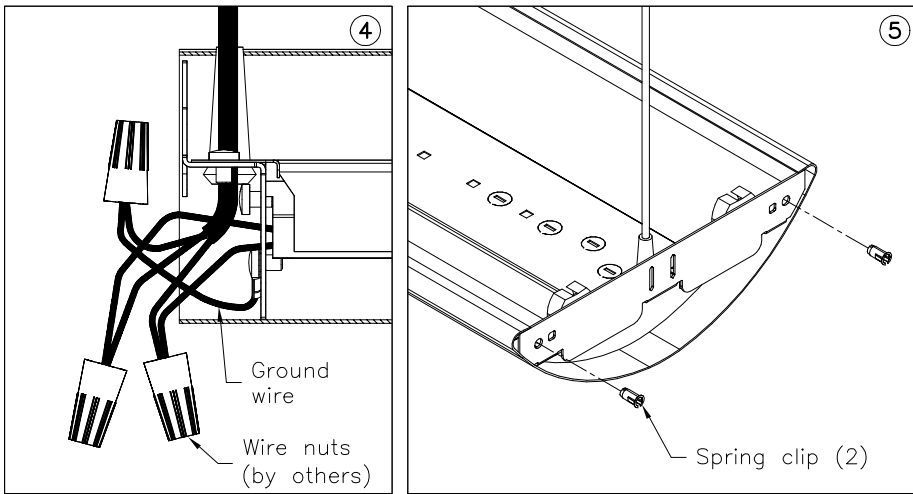
INSTRUCTION SHEET

CAUTION: THE INSTALLATION AND SERVICING OF THIS PRODUCT SHOULD BE PERFORMED BY A QUALIFIED ELECTRICIAN OR SERVICE PERSONNEL

- ① Install ceiling components. (See supplied "Mounting Installation" instructions.)
- ② Install aircraft cable adjuster as shown and secure by fastening retaining screw to crossplate, leaving a sufficient gap to hold the adjuster in position.



- Power Feed Connection
- ③ Insert aircraft cable into aircraft cable adjuster to suspend fixture. Ensure the cable extends below the adjuster at least 1/4".
 - ④ For a power feed location, break required 1/2" knock-out in crossplate. Insert supplied bushing(s) and feed power cord through. Complete electrical connections using wirenuts (supplied by others), ensuring that all connections are properly matched and tucked into wiring cavity.
 - ⑤ Push round spring clips supplied in endcap kit into round holes of crossplate as shown.
 - ⑥ Align endcap tabs with spring clips in crossplate. Push firmly to secure endcap to fixture.



ATTENTION
INSTALL IN ACCORDANCE TO NATIONAL AND LOCAL ELECTRICAL CODES AND BUILDING CODES.

