

SUBJECT:

# RUBATO INSTALLATION MOUNT @ JOINT

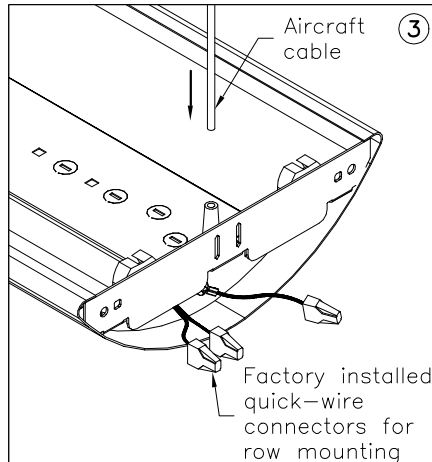
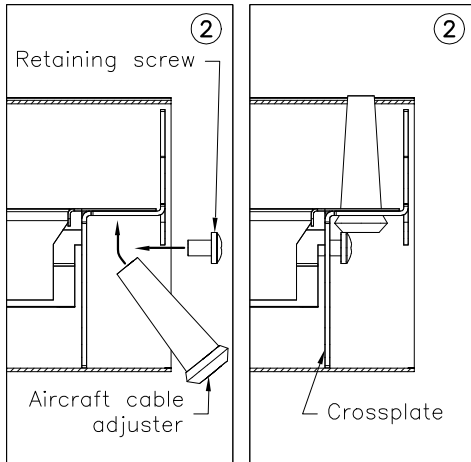


# INSTRUCTION SHEET

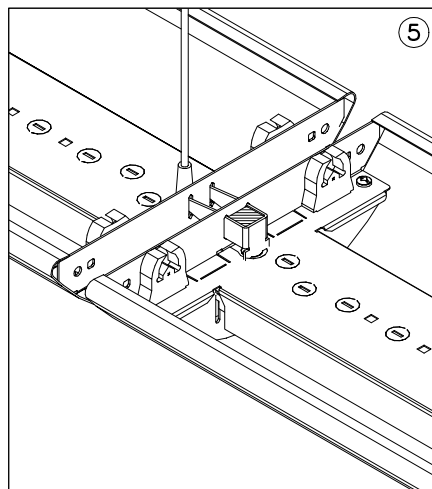
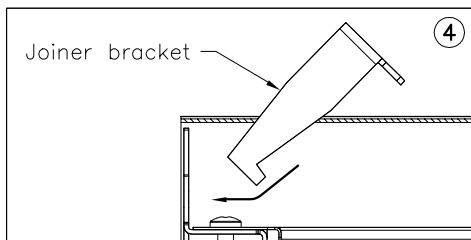
CAUTION: THE INSTALLATION AND SERVICING OF THIS PRODUCT SHOULD BE PERFORMED BY A QUALIFIED ELECTRICIAN OR SERVICE PERSONNEL

- 1 Install ceiling components. (See supplied "Mounting Installation" instructions.)
- 2 Install aircraft cable adjuster as shown and secure by fastening retaining screw to crossplate, leaving a sufficient gap to hold the adjuster in place.

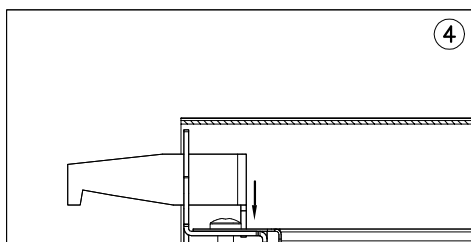
**ATTENTION**  
INSTALL IN ACCORDANCE TO NATIONAL AND LOCAL ELECTRICAL CODES AND BUILDING CODES.



- 3 Insert aircraft cable into aircraft cable adjuster to suspend fixture. Ensure the cable extends below the adjuster at least 1/4".
- 4 Insert joiner bracket into the next fixture module as shown.
- 5 Raise second module to installed height and push towards suspended module until joiner bracket legs engage inside opposite crossplate, leaving a gap between fixtures of approximately 1 inch.
- 5 Install aircraft cable at opposite end of fixture module as shown in step 3 above. Keep fixture level and handle carefully to ensure joiner bracket remains engaged at opposite end.



- 6 For a power feed location, break required 1/2" knock-out(s) in crossplate. Insert supplied bushing(s) and feed power cord through. Complete electrical connections using wirenuts (supplied by others), ensuring that all connections are properly matched and tucked into wiring cavity.



- 6 For a non power location, complete wiring connections using factory installed quick-wire connectors.
- 7 Slide joiner plate in position as shown and push fixture modules together.
- 8 To secure joint, push bolts through square holes in crossplate and fasten nuts with captive star washers against opposite crossplate.

