

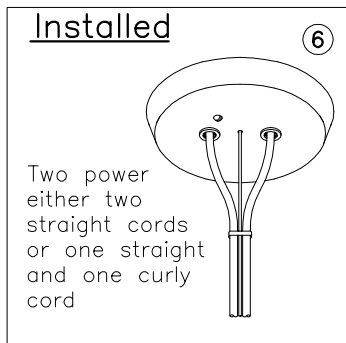
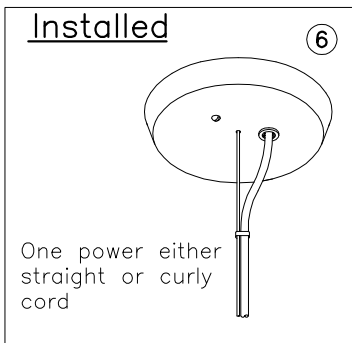
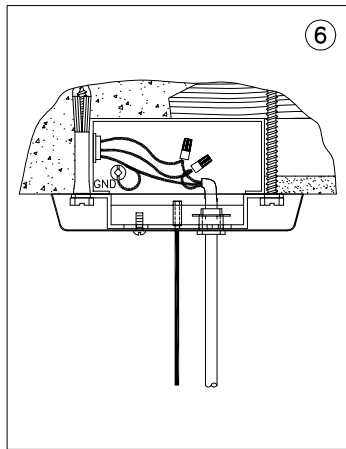
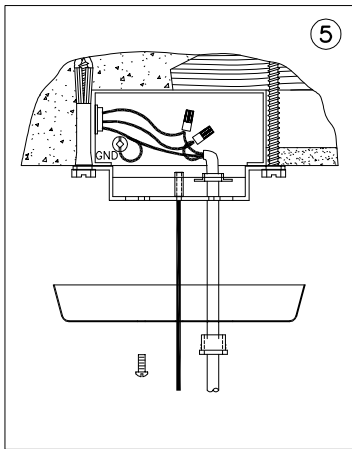
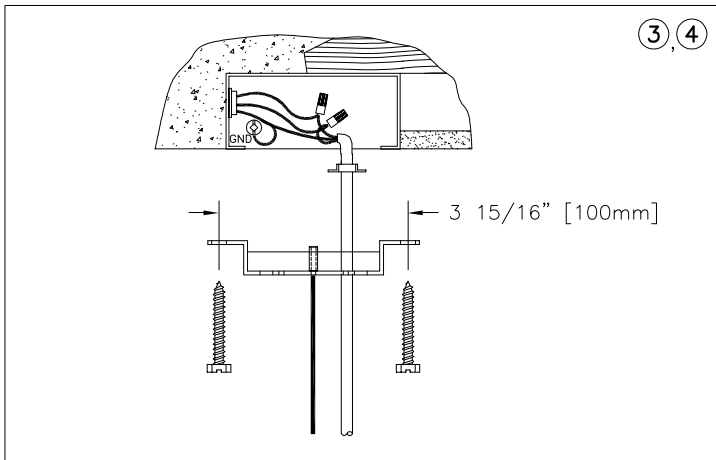
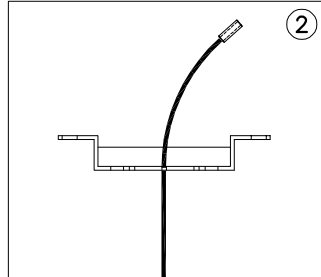
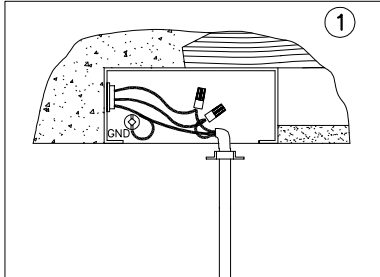
SUBJECT:

RACH-M1 POWER MOUNT
SIEMIC



INSTRUCTION SHEET

CAUTION: THE INSTALLATION AND SERVICING OF THIS PRODUCT SHOULD BE PERFORMED BY A QUALIFIED ELECTRICIAN OR SERVICE PERSONNEL



Mount Installation

Fixture Attachment

- ① Slip strain relief bushing over one end of 18 gauge SVT power cord, approximately one inch and crimp. Make power and ground connections in J-box.
- ② Thread aircraft cable through A/C crossbar plate.
- ③ Select appropriate fasteners, which will support a load of 750 lbs. each, to attach A/C crossbar plate to the structure.
- ④ Feed power cord through hole in A/C crossbar plate. Secure A/C crossbar plate to location specified on application drawings.
- ⑤ Snap bushing (provided) into canopy power supply hole and feed power cord through. Feed aircraft cable through center hole in canopy. Bring the canopy up to ceiling level, align the mounting hole in canopy with A/C crossbar plate. Use #6 x 3/8 in. screw (provided) to secure canopy to mounting plate.
- ⑥ Support fixture sections just above the installed level. Insert free end of aircraft cable into fixture aircraft cable adjuster. After cables have been secured, carefully lower fixture until supported by cable.

ATTENTION
INSTALL IN ACCORDANCE TO NATIONAL AND LOCAL ELECTRICAL CODES AND BUILDING CODES.

ATTENTION
REFER TO ASSOCIATED INSTALLATION INSTRUCTIONS TO COMPLETE INSTALLATION (EG. LEVELING, JOINTING, POWERED AND NON POWERED MOUNTS.)

ATTENTION:
C.S.A./ U.L. REQUIREMENTS FORBID SUSPENSION OF FIXTURE FROM J-BOX. FIXTURE MOUNTING HARDWARE MUST BE SECURELY MOUNTED TO SUPPORT STRUCTURE.