

SUBJECT:

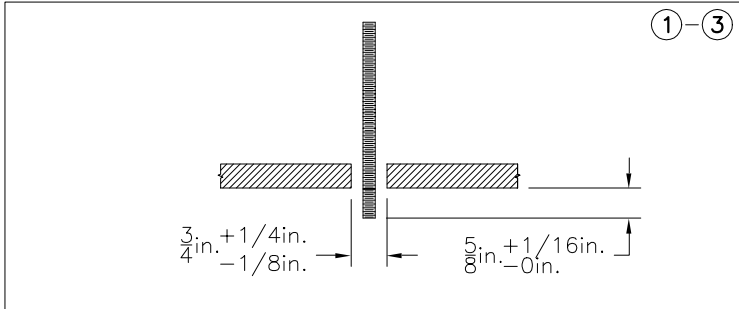
RACH-M2 NON-POWER MOUNT
NON-SEISMIC



INSTRUCTION SHEET

CAUTION: THE INSTALLATION AND SERVICING OF THIS PRODUCT SHOULD BE PERFORMED BY A QUALIFIED ELECTRICIAN OR SERVICE PERSONNEL

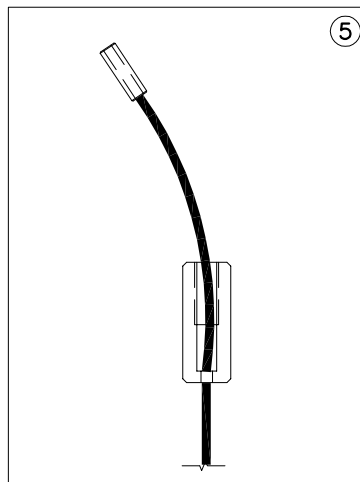
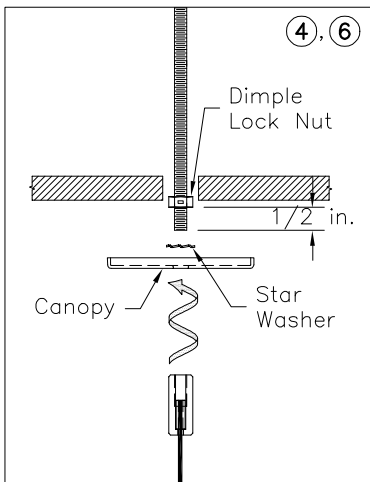
These Installation Instructions cover non-seismic mounting requirements – UBC and California Seismic Zone 1.0. For Seismic requirements greater than Zone 1.0 use "A2 Seismic Upgrade" Installation Instructions in addition to these instructions.



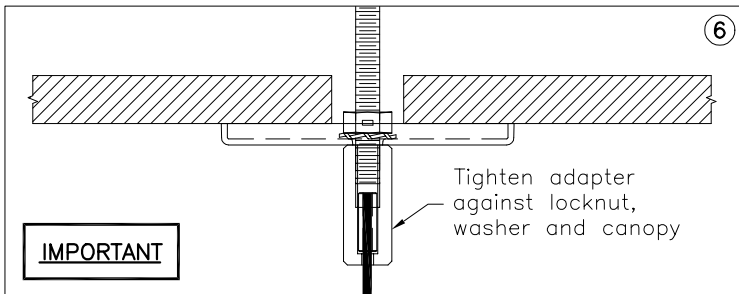
- Secure 1/4"-20 threaded rod (supplied by others) to the substructure, directly above specified mount location. (see layout drawings)
Note: the 1/4"-20 threaded rod must be A36 steel, minimum, to meet seismic requirements. (see Non-Seismic Mount Upgrade Installation Instructions)

Mount Installation

ATTENTION
THE 1/4"-20 READY ROD WHICH IS ATTACHED TO THE SUBSTRUCTURE MUST SAFELY SUPPORT AN AXIAL LOAD OF 1500 LBS.

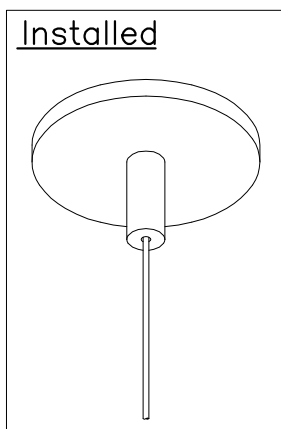
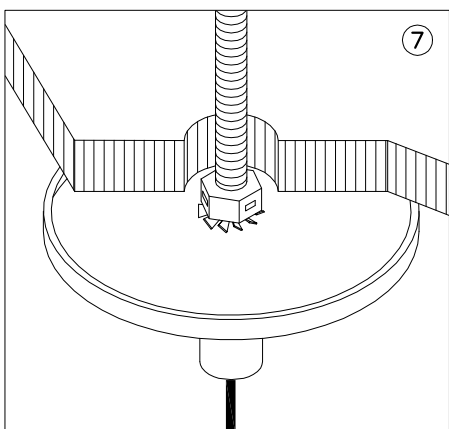


- Important:** The free end of the threaded rod must be located at approximately 5/8" below ceiling level.
- Drill a 3/4 in. dia hole in ceiling tile at the specified mount location using a hole saw.
Note: Refer to A2 Seismic Upgrade if seismic upgrade is required.
- Thread locknut onto threaded rod until bottom of nut is 9/16" above free end of rod.
- Insert the aircraft cable through the 1/4"-20 crimp adapter.
- In this sequence, slide the star washer and canopy onto 1/4"-20 ready rod, and begin tightening the 1/4"-20 crimp adapter.



IMPORTANT
ENSURE THAT THE 1/4"-20 CRIMP ADAPTER IS TIGHTENED SECURELY AGAINST LOCKNUT, STAR WASHER, AND CANOPY.

Fixture Attachment



- Support fixture sections just above the installed level. Insert free end of aircraft cable into fixture aircraft cable adjuster. After cables have been secured, carefully lower fixture until supported by cable.

ATTENTION
INSTALL IN ACCORDANCE TO NATIONAL AND LOCAL ELECTRICAL CODES AND BUILDING CODES.

ATTENTION
REFER TO ASSOCIATED INSTALLATION INSTRUCTIONS TO COMPLETE INSTALLATION (EG. LEVELING, JOINTING, POWERED AND NON POWERED MOUNTS.)