

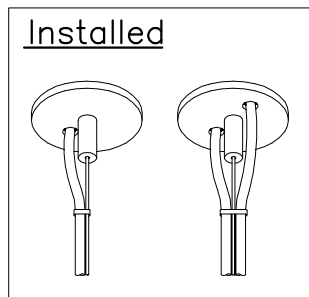
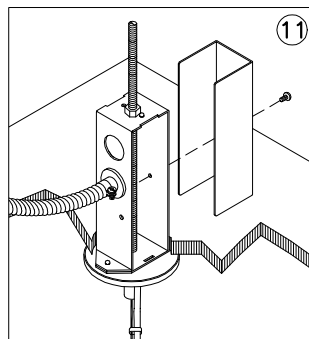
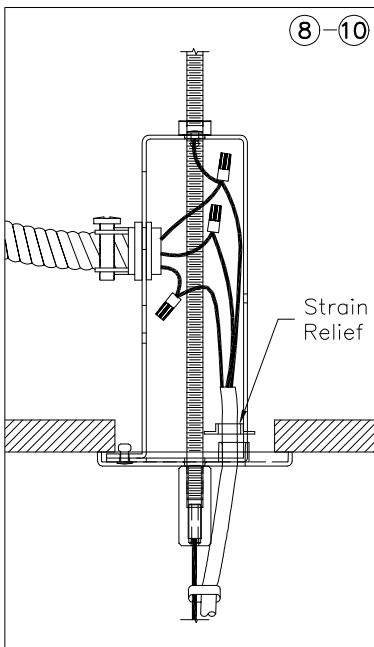
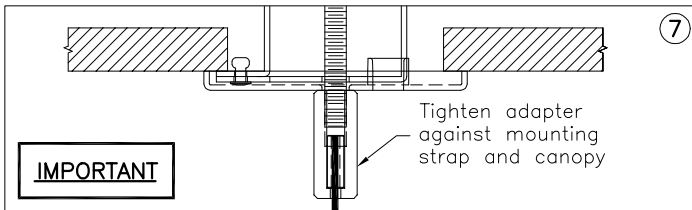
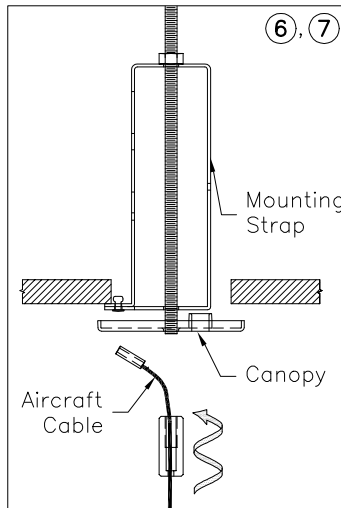
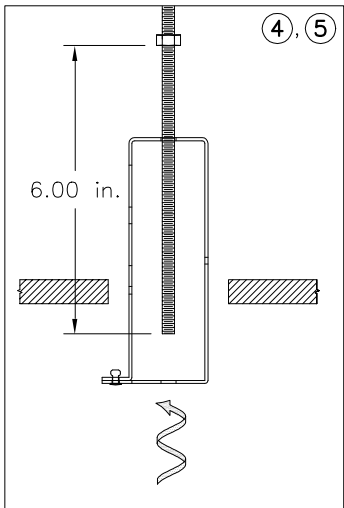
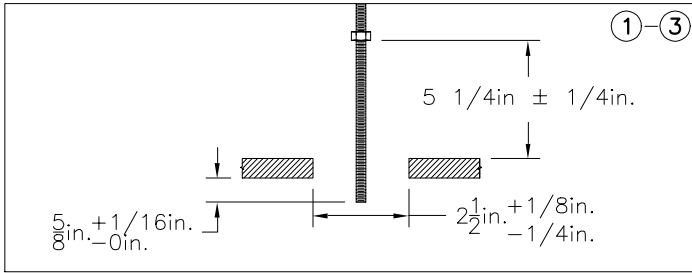
SUBJECT:

RACH-M2 POWER MOUNT
NON-SEISMIC



INSTRUCTION SHEET

CAUTION: THE INSTALLATION AND SERVICING OF THIS PRODUCT SHOULD BE PERFORMED BY A QUALIFIED ELECTRICIAN OR SERVICE PERSONNEL



These Installation Instructions cover non-seismic mounting requirements - UBC and California Seismic Zone 1.0. For Seismic requirements greater than Zone 1.0 use "Non-Seismic Mount Upgrade" Installation Instructions in addition to these instructions.

- Secure 1/4"-20 threaded rod (supplied by others) to the substructure, directly above specified mount location. (see layout drawings)
Note: The 1/4"-20 threaded rod must be A36 steel, minimum, to meet seismic requirements. (see Non-Seismic mount Upgrade Installation Instructions)

ATTENTION
THE 1/4"-20 READY ROD WHICH IS ATTACHED TO THE SUBSTRUCTURE MUST SAFELY SUPPORT AN AXIAL LOAD OF 1500 LBS.

- Important:** The free end of the threaded rod must be located approximately 5/8" below ceiling level.
- Drill a 2-1/2 in. dia hole in ceiling tile at the specified mount location using a hole saw.
Note: Refer to A2 Seismic Upgrade if seismic upgrade is required.
- Thread one of the 1/4"-20 nuts (provided) onto the threaded rod to at least 6" above the free end of the rod.
- Spin mount onto threaded rod until tabs contact ceiling tile.
- Insert the aircraft cable through the 1/4"-20 crimp adapter.
- Slide canopy onto 1/4"-20 threaded rod, and begin tightening the 1/4"-20 crimp adapter.

IMPORTANT
ENSURE THAT THE 1/4"-20 CRIMP ADAPTER IS TIGHTENED SECURELY AGAINST THE MOUNTING STRAP AND CANOPY.

- Support fixture sections just above the installed level. Insert free end of aircraft cable into fixture aircraft cable adjuster. After cables have been secured, carefully lower fixture until supported by cable.
- Access the mount from above, through an adjacent tile, and screw mount further on to threaded rod so the canopy is again in contact with ceiling tile after any settling. Lock mount in place by tightening the 1/4"-20 nut down onto the top of the mount.

- Connect power cable to mounting strap. Pass fixture power cord (provided) through canopy power hole(s) and bushing(s), crimp metal strain relief(s) onto cord(s) above canopy. Make appropriate power connections.
- Attach J-box cover using screw provided.

ATTENTION
INSTALL IN ACCORDANCE TO NATIONAL AND LOCAL ELECTRICAL CODES AND BUILDING CODES.

ATTENTION
REFER TO ASSOCIATED INSTALLATION INSTRUCTIONS TO COMPLETE INSTALLATION (EG. LEVELING, JOINTING, POWERED AND NON POWERED MOUNTS.)

Mount Installation

Fixture Attachment

Power Connection