

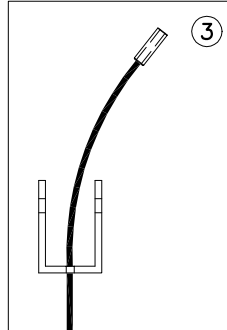
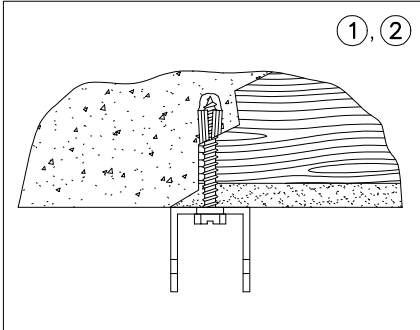
SUBJECT:

RACH-M3 NON-POWER MOUNT
SEISMIC



INSTRUCTION SHEET

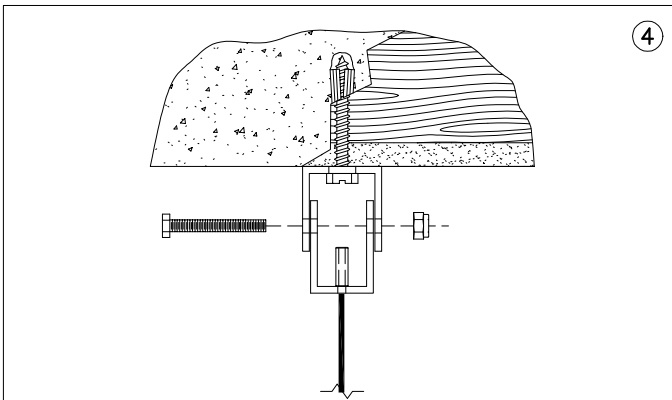
CAUTION: THE INSTALLATION AND SERVICING OF THIS PRODUCT SHOULD BE PERFORMED BY A QUALIFIED ELECTRICIAN OR SERVICE PERSONNEL



- 1 Select an appropriate fastener which will support a load of 1500 lbs. And accommodate a 3/8" dia hole to attach bracket to structure.
- 2 Secure bolt bracket to structure at location specified on application drawings.
- 3 Thread aircraft cable through crimp bracket.

Mount Installation

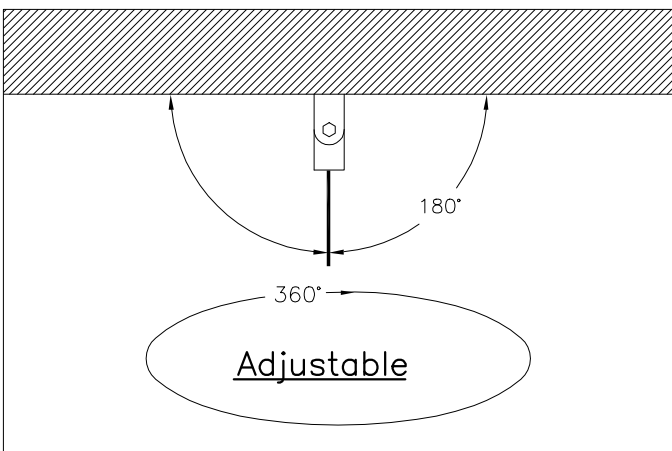
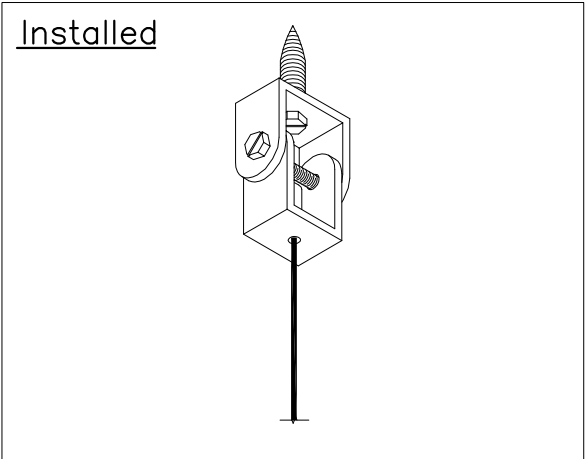
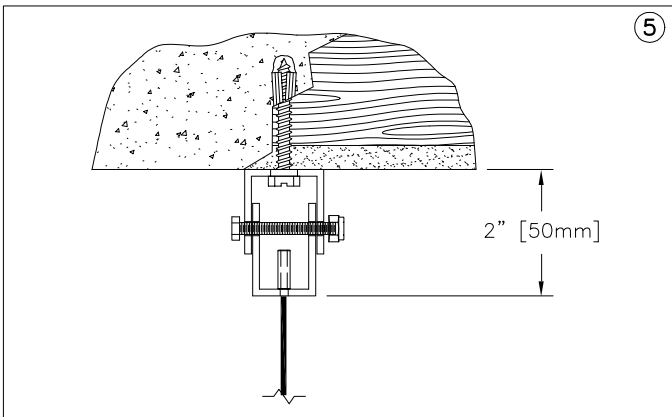
ATTENTION
THE FASTENER WHICH IS ATTACHED TO THE STRUCTURE MUST SAFELY SUPPORT A LOAD OF 1500 LBS.



- 4 Connect crimp bracket to bolt bracket using #10-32 x 1-1/2" bolt and nut supplied with mount.

Fixture Attachment

- 5 Support fixture sections just above the installed level. Insert free end of aircraft cable into fixture's aircraft cable adjuster. After cables have been secured, carefully lower fixture until supported by cable.



ATTENTION
INSTALL IN ACCORDANCE TO NATIONAL AND LOCAL ELECTRICAL CODES AND BUILDING CODES.

ATTENTION
REFER TO ASSOCIATED INSTALLATION INSTRUCTIONS TO COMPLETE INSTALLATION (EG. LEVELING, JOINTING, POWERED AND NON POWERED MOUNTS.)