

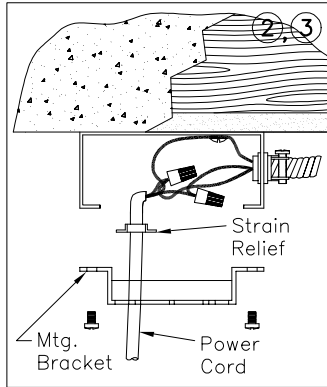
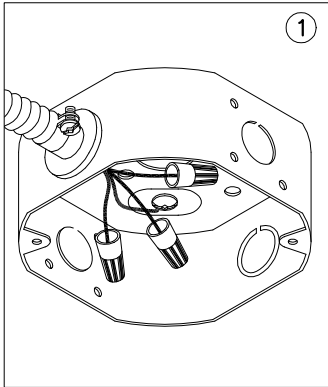
SUBJECT:

RACH-M3 POWER MOUNT  
SEISMIC

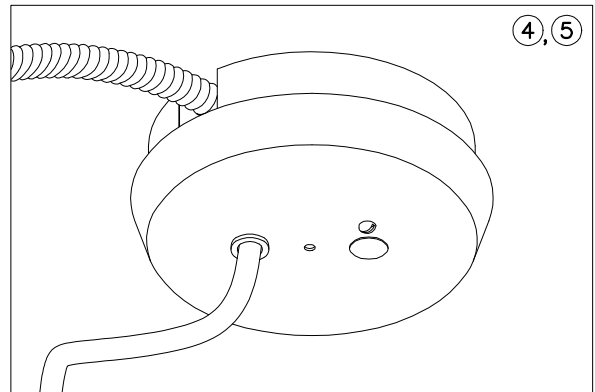
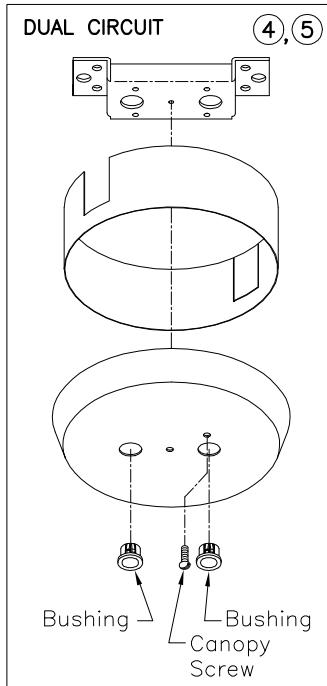
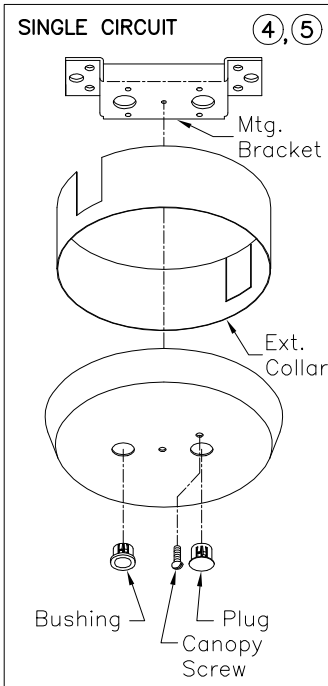


# INSTRUCTION SHEET

CAUTION: THE INSTALLATION AND SERVICING OF THIS PRODUCT SHOULD BE PERFORMED BY A QUALIFIED ELECTRICIAN OR SERVICE PERSONNEL



- 1 Secure an Iberville 1-1/2" deep octagonal box (part #CI-54151-1/2) or equivalent 1" to 6" from the mounting location.
- 2 Slip strain relief bushing over prestripped power cord approximately 1" from end of jacket and crimp it. Complete power and ground connections in J-box.
- 3 Feed power cord through hole in mounting bracket and secure mounting bracket to J-box.
- 4 For one power, snap one bushing and plug into canopy power holes. For two power, snap both bushings into canopy power holes.
- 5 Feed power cord through canopy extension collar then through power hole(s) in canopy. Bring the canopy up to ceiling level, align mounting hole in canopy with that of mounting plate and use the supplied #6 x 3/8 in. Screw to secure canopy to mounting plate.
- 6 Install the mount to the location specified on application drawings according to installation instructions.



**ATTENTION**  
INSTALL IN ACCORDANCE TO NATIONAL AND LOCAL ELECTRICAL CODES AND BUILDING CODES.

**ATTENTION**  
REFER TO ASSOCIATED INSTALLATION INSTRUCTIONS TO COMPLETE INSTALLATION (EG. LEVELING, JOINTING, POWERED AND NON POWERED MOUNTS.)

