

SUBJECT:

RUBATO INSTALLATION
OVERVIEW

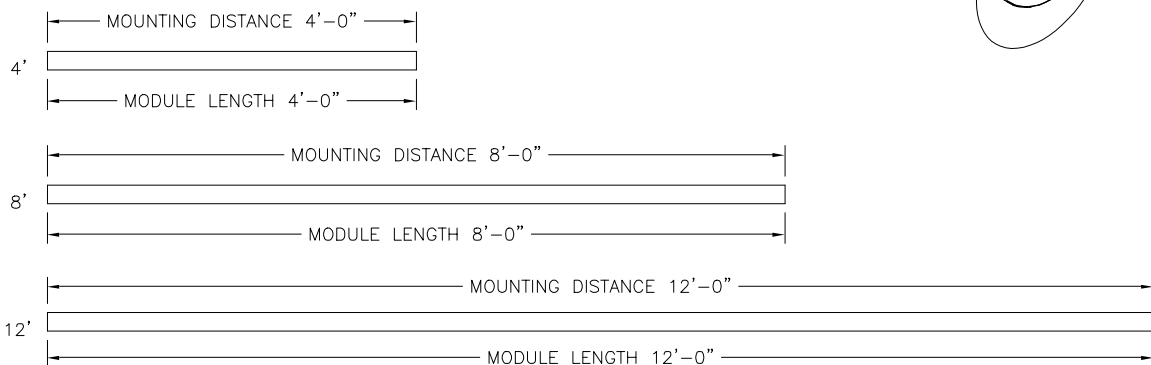
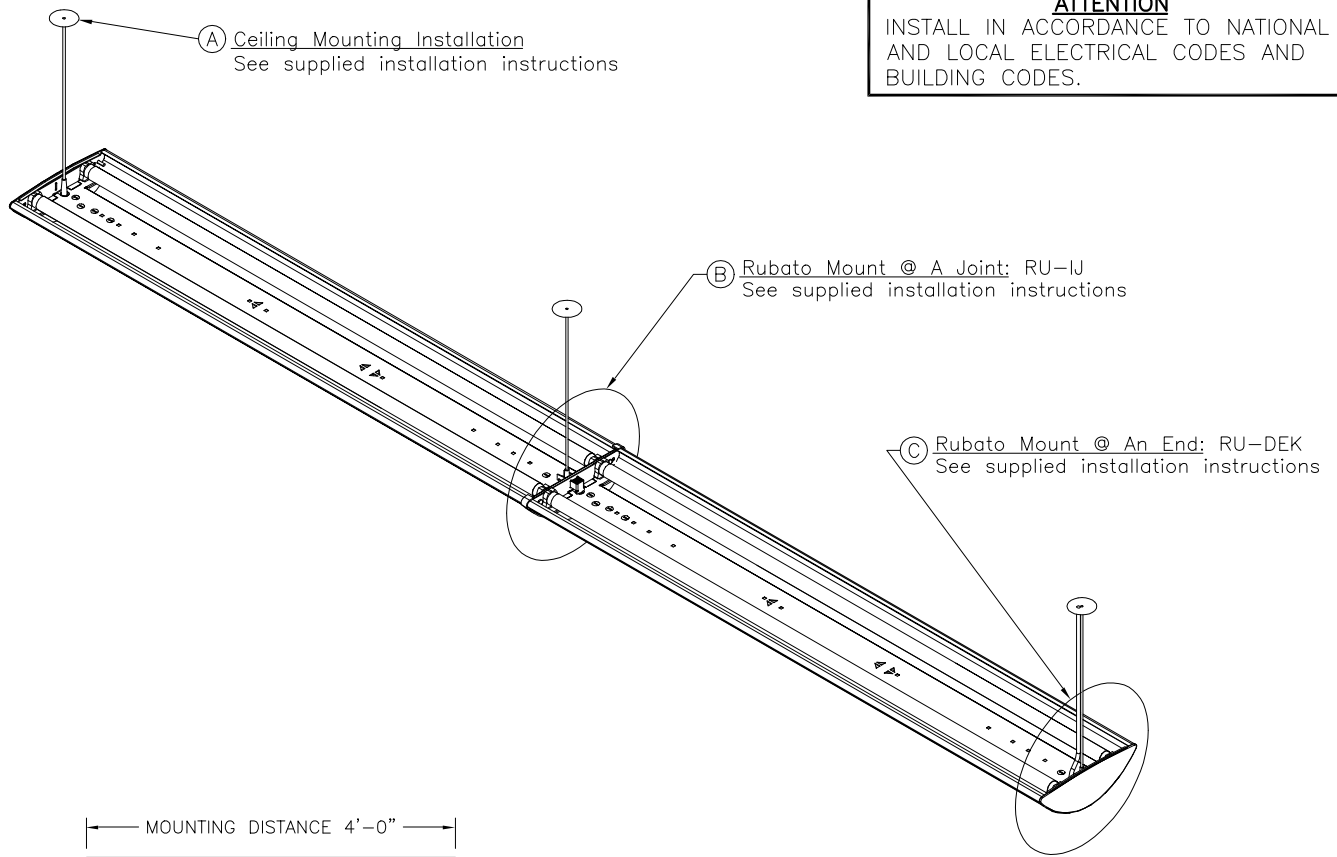


INSTRUCTION SHEET

CAUTION: THE INSTALLATION AND SERVICING OF THIS PRODUCT SHOULD BE PERFORMED BY A QUALIFIED ELECTRICIAN OR SERVICE PERSONNEL

- ① Read All Installation Instructions Before Installing Fixtures.
- ② Layout boxed fixtures on floor in desired mounting locations. Remove fixtures from boxes but keep the protective plastic on during installation.
- ③ General installation sequence:
 - Ⓐ Install ceiling mounting kits (see below).
 - Ⓑ & Ⓒ Attach fixtures to mounting brackets at joints and ends (see below).
 - Ⓓ Ensure that mounting system components have been installed correctly by temporarily applying a 25 lb. point load to each mounting bracket location.

ATTENTION
INSTALL IN ACCORDANCE TO NATIONAL AND LOCAL ELECTRICAL CODES AND BUILDING CODES.



Overall Fixture Lengths And Mounting Dimensions