

**2 Lamp
T5, T5HO, or T8
Recessed Direct/Indirect**

APPLICATION

- Architectural recessed direct/indirect lighting for glare free illumination.
- Suitable for grid inverted T (Nema "G") ceilings. Flange type ceilings (Nema "F") require independently mounted flange kits (FMA).
- Fully recessed mounting, suitable for row mounting.

CONSTRUCTION/FINISH

- No visible welding, screws, latches, springs, hooks, rivets or plastic supports.
- Soft white baked enamel finish.
- Easy ballast access through removable back reflector.
- Optional hold down clips available (order separately: cat # AVHD).

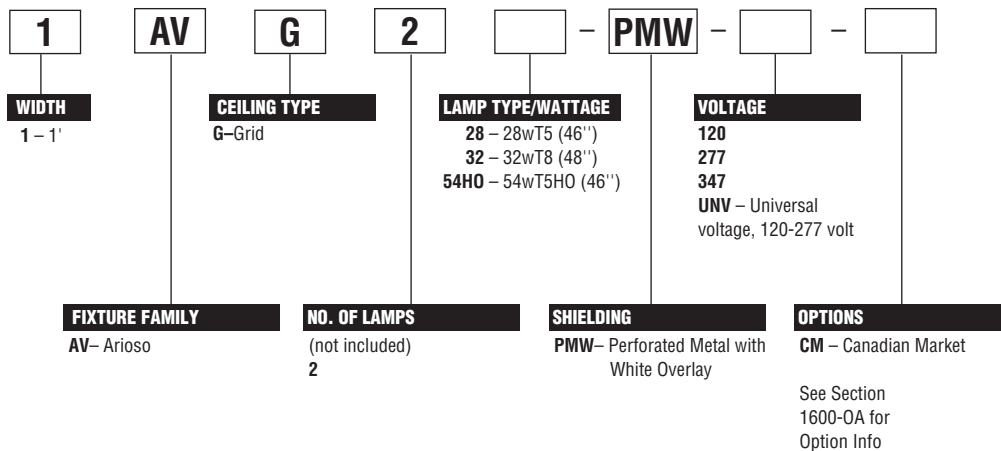
ELECTRICAL

- Class P, HPF ballasts comply with ©Federal Ballast Law (Public Law 100-357,1988).
- UL listed for damp locations. C.S.A. certified optional.
- Self-contained fluorescent emergency power pack can be incorporated.

ENCLOSURES

- Micro-perforated mesh lamp shield provides soft awareness of light source.
- Soft white overlay on inside of micro-perforated mesh conceals lamp image and balances between reflected and direct light.
- Swing down lamp shield for easy relamping.
- Lamp shield end trim is included for field installation if desired (not required).

CATALOG NUMBER

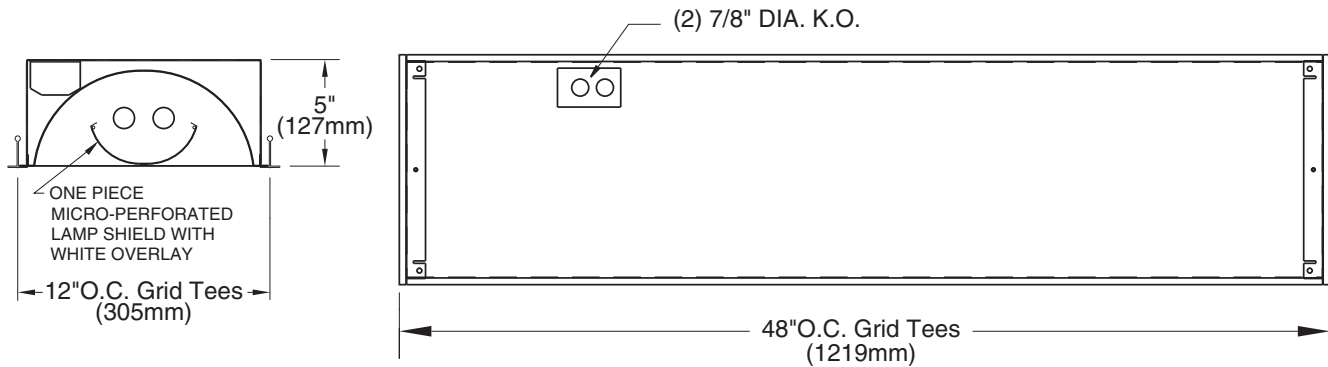


NOTES:

- With generic Electronic Ballasts (Brand selected by Day-Brite)
Suffix Catalog # with - **Ballast Quantity** - / - **EB Lamps Per Ballast**.

Example: -1/2-EB = One 2 Lamp Electronic Ballast.

DIMENSIONS



PHOTOMETRIC DATA

CATALOG # 1AVG232-PMW-1/2-EB
TEST #F20035 S/MH= 1.3

LAMPS = F32T8
BALLAST = ELECTRONIC

INPUT WATTS = 56
BALLAST FACTOR = .88

LER = 48

COMPARATIVE YEARLY LIGHTING ENERGY COST PER 1000 LUMENS = \$5.00 BASED ON 3000 HRS. AND \$.08 PER KWH.

FIXTURE EFFICIENCY = 54.0%

CANDLEPOWER			
Angle	End	45	Cross
0	1171	1171	1171
5	1167	1168	1166
10	1153	1153	1153
15	1127	1129	1131
20	1079	1083	1085
25	1047	1052	1052
30	991	997	989
35	927	933	904
40	855	854	798
45	776	758	687
50	690	646	566
55	599	527	448
60	506	404	371
65	418	293	294
70	325	215	217
75	231	143	145
80	137	83	81
85	55	36	33

MAINTAINED ILLUMINATION TABLE- Square Feet/Fixture*

- 80-50-20 Reflectances (Ceiling-Wall-Floor)
- LLF = 0.73 2850 Lumens/Lamp very clean
- Room width divided by room height = 5 or more, 2 or 1

Fixture Size & # of Lamps	Room Width Room Height =	Approx. Area (sq. ft.) per Fixture			
		10 ft-c	30 ft-c	50 ft-c	70 ft-c 100 ft-c
1' X 4' 2 Lamp	5	-	81	49	35 -
	2	-	56	33	- -
	1	123	41	-	- -

*Observe Fixture S/MH Requirements for Specific Applications

AVERAGE LUMINANCE CD/SQ.M WITH 2850 LUMEN LAMPS

ANGLE	END	45°	CROSS
45	3512	3431	3109
55	3342	2941	2500
65	3165	2219	2226
75	2856	1768	1793
85	2020	1322	1212

TYPICAL V.C.P.'s

Room Size	Mounting Height	
	Lengthwise	Crosswise
30x30	8.5 10	8.5 10
40x40	51 54	57 60
60x30	51 52	57 58
60x60	57 59	60 62
100x60	50 50	56 56
100x100	51 51	57 57

COEFFICIENT OF UTILIZATION

pfc pcc pw RCR	20			70			50		
	70	50	30	70	50	30	50	30	
0	64	64	64	63	63	63	59	59	
1	58	56	54	57	55	53	53	51	
2	54	50	46	53	48	45	46	44	
3	48	44	40	47	42	39	40	38	
4	45	39	34	44	38	34	36	33	
5	41	34	29	40	34	29	33	28	
6	39	32	27	38	30	27	29	26	
7	35	28	23	34	28	23	27	23	
8	33	26	22	32	26	20	25	20	
9	30	23	20	29	23	20	23	19	
10	28	22	17	28	22	17	20	17	

LIGHT DISTRIBUTION

DEGREES	LUMENS	% LAMP	% FIXTURE
0-30	92	16.0	29.6
0-40	1489	26.1	48.4
0-60	2536	44.5	82.4
0-90	3078	54.0	100.0

LLF = .73 LLF = LIGHT LOSS FACTOR LLF = LDD X LLD X BF LDD = VERY CLEAN 0.94 CLEAN 0.90
LLD = 0.88 @ 40% RATED LAMP LIFE BF = .88 ELECTRONIC BALLAST & 32W T8 LAMP (RELAMP AT 70% LAMP LIFE)