

**1, 2 or 3 Lamp  
T5, T5HO, T8, or CF TT5  
Recessed Direct/Indirect**

**APPLICATION**

- Architectural recessed direct/indirect lighting for glare-free illumination.
- Suitable for grid inverted T (Nema “G”) ceilings. Flange type ceilings (Nema “F”) require independently mounted flange kits (FMA).
- Fully recessed mounting, suitable for row mounting.

**CONSTRUCTION/FINISH**

- Top reflector and end panels are formed together with no gaps.
- No visible welding, screws, latches, springs, hooks, rivets or plastic supports.
- Soft white baked enamel finish.
- Easy ballast access through lamp compartment.
- Optional hold down clips available (order separately: cat # AVHD).

**ELECTRICAL**

- Class P, HPF ballasts comply with ©Federal Ballast Law (Public Law 100-357, 1988).
- UL listed for damp locations. C.S.A. certified optional.
- Self-contained fluorescent emergency power pack can be incorporated.

**ENCLOSURES**

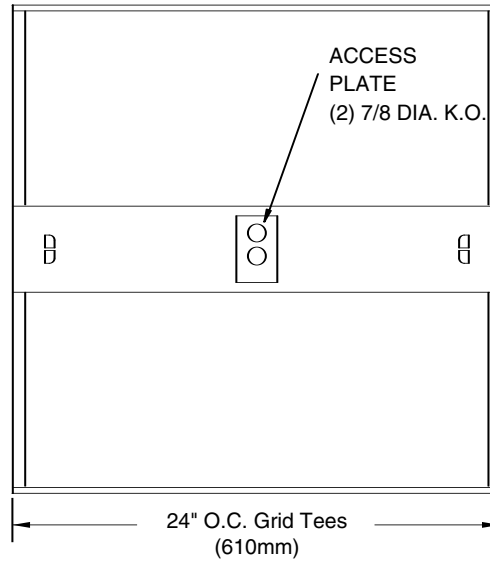
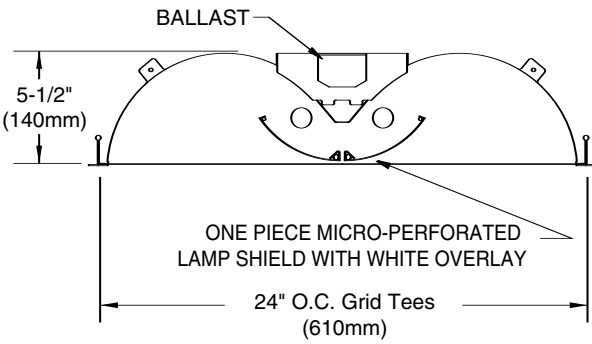
- Micro-perforated mesh lamp shields with narrow slot between provide soft awareness of light source.
- Soft white overlay on inside of micro-perforated mesh conceals lamp image and balances between reflected and direct light.
- Swing down lamp shields for easy relamping.

**CATALOG NUMBER**

2	AV	G			SPMW			
<b>WIDTH</b>	<b>CEILING TYPE</b>	<b>LAMP TYPE/WATTAGE</b>	<b>VOLTAGE</b>	<b>FIXTURE FAMILY</b>	<b>NO. OF LAMPS</b>	<b>SHIELDING</b>	<b>OPTIONS</b>	
2- 2'	G-Grid	14 – 14wT5 (22") 17 – 17wT8 (24") 24HO – 24wT5HO (22") CF40 – 40wTT5 (24") CF50 – 50wTT5 (24") CF55 – 55wTT5 (24")	120 277 347 UNV – Universal voltage, 120-277 volt	AV- Ariosso	(not included) 1 (CF only) 2 3	SPMW – 2-piece Perforated Metal with White Overlay	1/2 – One 2-lamp ballast (electronic or non-standard) 1/3 – One 3-lamp ballast (electronic or non-standard) 1/21 – 2-lamp & 1-lamp ballasts (electronic or non-standard) EB – Electronic ballast, <20% THD EB10I – T8 Electronic ballast, instant start, <10% THD EB10R – Electronic ballast, program rapid start, <10% THD EBD – Electronic dimming ballast E1 – DEB-1 emerg. ballast (T8 or CF only), 350-450 lumens (UL dry loc.) E7 – DEB-7 emerg. ballast, 390-700 lumens (UL dry loc.) E5 – DEB-5 emerg. ballast (T8 or CF only), 1100-1400 lumens (UL dry loc.) E5ST – DEB-5ST emerg. ballast with self test, 1100-1400 lumens (UL dry loc.) F1 – Installed flex, 3/8" diameter, 18 gauge, 3 wire, 6' F2 – Installed flex, 3/8" diameter, 18 gauge, 4 wire, 6' GLR# – Fusing, fast blow (# = number of ballasts) LPT735 – Installed T8 lamps, 70+ CRI, 3500K LPT835 – Installed T8/T5/T5HO/CF lamps, 80+ CRI, 3500K	

See section 1600-OA for option information.

## DIMENSIONS



## PHOTOMETRIC DATA

CATALOG # 2AVG2CF40-SPMW-1/2-EB LAMPS = 40wT5 INPUT WATTS = 67  
 TEST #26740 S/MH= 1.4 BALLAST = ELECTRONIC BALLAST FACTOR = .88

LER = 50

COMPARATIVE YEARLY LIGHTING ENERGY COST PER 1000 LUMENS = \$4.80 BASED ON 3000 HRS. AND \$.08 PER KWH.

FIXTURE EFFICIENCY= 60.5%

CANDLEPOWER			
Angle	End	45	Cross
0	1246	1246	1246
5	1248	1251	1264
10	1231	1270	1272
15	1202	1244	1223
20	1162	1189	1189
25	1110	1133	1165
30	1050	1085	1148
35	982	1039	1123
40	902	993	1050
45	814	930	964
50	724	838	870
55	625	737	782
60	530	629	675
65	437	522	535
70	341	396	354
75	246	244	217
80	140	126	126
85	59	48	49

MAINTAINED ILLUMINATION TABLE- Square Feet/Fixture*						
<ul style="list-style-type: none"> <li>80-50-20 Reflectances (Ceiling-Wall-Floor)</li> <li>LLF = 0.75 3150 Lumens/Lamp very clean</li> <li>Room width divided by room height = 5 or more, 2 or 1</li> </ul>						
Fixture Size & # of Lamps	Room Width Room Height =	Approx. Area (sq. ft.) per Fixture				
		10 ft-c	30 ft-c	50 ft-c	70 ft-c	100 ft-c
2' X 2'	5	-	98	59	42	-
2 Lamp CF40	2	-	66	40	-	-
Split Basket	1	144	48	-	-	-

\*Observe Fixture S/MH Requirements for Specific Applications

AVERAGE LUMINANCE CD/SQ.M WITH 3150 LUMEN LAMPS			
ANGLE	END	45°	CROSS
45	3098	3539	3669
55	2932	3458	3669
65	2783	3324	3407
75	2558	2537	2256
85	1822	1482	1513

Room Size	TYPICAL V.C.P.'s Mounting Height			
	Lengthwise		Crosswise	
	8.5	10	8.5	10
30x30	47	50	47	50
40x40	47	48	47	48
60x30	52	54	52	53
60x60	47	47	48	47
100x100	47	48	50	50

COEFFICIENT OF UTILIZATION						
pfc pcc pw RCR	20		70		50	
	80	30	70	50	30	50
0	71	71	69	69	69	67
1	66	63	59	64	60	58
2	59	55	50	57	54	51
3	54	47	42	53	46	41
4	50	41	36	47	40	35
5	46	38	32	44	36	32
6	41	34	28	40	33	28
7	39	30	25	38	29	25
8	35	28	23	34	27	22
9	34	26	20	33	25	20
10	32	23	19	30	23	17

LIGHT DISTRIBUTION			
DEGREES	LUMENS	% LAMP	% FIXTURE
0-30	998	15.8	26.2
0-40	1654	26.3	43.4
0-60	2995	47.5	78.5
0-90	3813	60.5	100.0

LLF = .75 LLF = LIGHT LOSS FACTOR LLF = LDD X LLD X BF LDD = VERY CLEAN 0.94 CLEAN 0.90  
 LLD = 0.90 @ 40% RATED LAMP LIFE BF = .88 ELECTRONIC BALLAST & 40W T5 LAMP (RELAMP AT 70% LAMP LIFE)