

**2, 3 or 4 Lamp
T5, T5HO, T8, or CF T5
Recessed Direct/Indirect**

APPLICATION

- Architectural recessed direct/indirect lighting for glare-free illumination.
- Suitable for grid inverted T (Nema “G”) ceilings. Flange type ceilings (Nema “F”) require independently mounted flange kits (FMA).
- Fully recessed mounting, suitable for row mounting.

CONSTRUCTION/FINISH

- Top reflector and end panels are formed together with no gaps.
- No visible welding, screws, latches, springs, hooks, rivets or plastic supports.
- Soft white baked enamel finish.
- Easy ballast access through lamp compartment.
- Optional hold down clips available (order separately: cat # AVHD).

ELECTRICAL

- Class P, HPF ballasts comply with ©Federal Ballast Law (Public Law 100-357, 1988).
- UL listed for damp locations. C.S.A. certified optional.
- Self-contained fluorescent emergency power pack can be incorporated.

ENCLOSURES

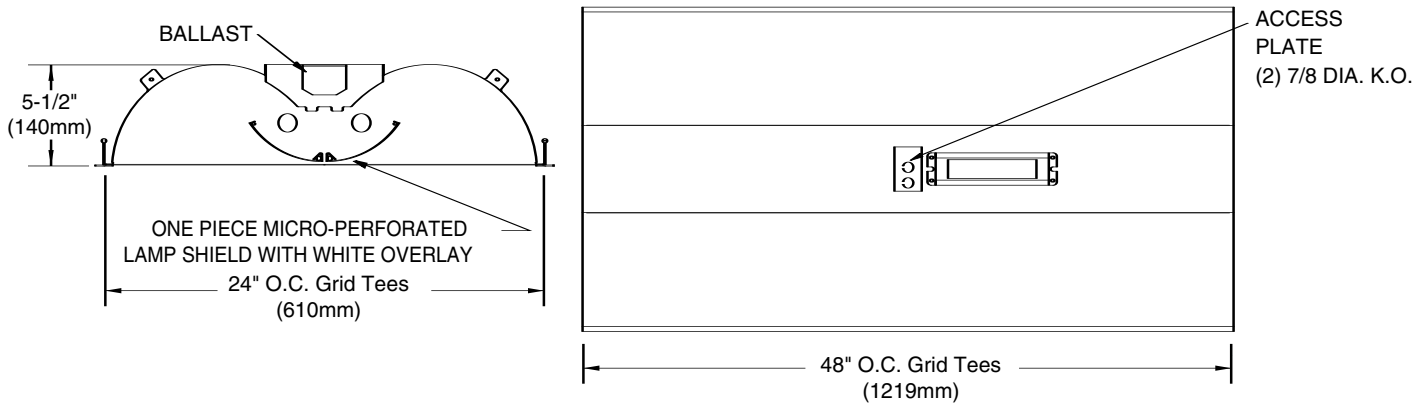
- Micro-perforated mesh lamp shields with narrow slot between provide soft awareness of light source.
- Soft white overlay on inside of micro-perforated mesh conceals lamp image and balances between reflected and direct light.
- Swing down lamp shields for easy relamping.

CATALOG NUMBER

2	AV	G			- SPMW -		
WIDTH 2 - 2'	CEILING TYPE G-Grid	LAMP TYPE/WATTAGE 28 - 28wT5 (46") 32 - 32wT8 (48") 54HO - 54wT5HO (46") CF40 - 40wTT5 (24") CF50 - 50wTT5 (24") CF55 - 55wTT5 (24")			VOLTAGE 120 277 347 UNV - Universal voltage, 120-277 volt		
FIXTURE FAMILY AV- Arioso	NO. OF LAMPS (not included) 2 (T5 and T8 only) 3 (T5 and T8 only) 4 (CF only)	SHIELDING SPMW - 2-piece Perforated Metal with White Overlay		OPTIONS 1/2 - One 2-lamp ballast (electronic or non-standard) 1/3 - One 3-lamp ballast (electronic or non-standard) 1/21 - 2-lamp & 1-lamp ballasts (electronic or non-standard) 2/2 - Two 2-lamp ballasts (electronic or non-standard) EB - Electronic ballast, <20% THD EB10I - T8 Electronic ballast, instant start, <10% THD EB10R - Electronic ballast, program rapid start, <10% THD EBD - Electronic dimming ballast E1 - DEB-1 emerg. ballast (T8 or CF only), 350-450 lumens (UL dry loc.) E7 - DEB-7 emerg. ballast, 390-700 lumens (UL dry loc.) E5 - DEB-5 emerg. ballast (T8 or CF only), 1100-1400 lumens (UL dry loc.) E5ST - DEB-5ST emerg. ballast with self test, 1100-1400 lumens (UL dry loc.) F1 - Installed flex, 3/8" diameter, 18 gauge, 3 wire, 6' F2 - Installed flex, 3/8" diameter, 18 gauge, 4 wire, 6' GLR# - Fusing, fast blow (# = number of ballasts) LPT735 - Installed T8 lamps, 70+ CRI, 3500K LPT835 - Installed T8/T5/T5HO/CF lamps, 80+ CRI, 3500K			

See section 1600-OA for option information.

DIMENSIONS



PHOTOMETRIC DATA

CATALOG # 2AVG232-SPMW-1/2-EB
TEST #26732 S/MH= 1.4

LAMPS = F32T8
BALLAST = ELECTRONIC

INPUT WATTS = 59
BALLAST FACTOR = .88

LER = 49

COMPARATIVE YEARLY LIGHTING ENERGY COST PER 1000 LUMENS = \$4.90 BASED ON 3000 HRS. AND \$.08 PER KWH.

FIXTURE EFFICIENCY= 58.0%

CANDLEPOWER				
Angle	End	45	Cross	
0	1030	1030	1030	
5	1035	1027	1019	
10	1022	1019	1016	
15	998	1002	1003	
20	967	979	990	
25	925	950	975	
30	875	913	946	
35	820	875	910	
40	759	824	878	
45	687	768	878	
50	612	712	823	
55	536	681	742	
60	454	611	623	
65	375	511	482	
70	290	380	311	
75	207	226	193	
80	128	111	111	
85	56	52	45	

MAINTAINED ILLUMINATION TABLE- Square Feet/Fixture*

- 80-50-20 Reflectances (Ceiling-Wall-Floor)
- LLF = 0.75 2850 Lumens/Lamp very clean
- Room width divided by room height = 5 or more, 2 or 1

Fixture Size & # of Lamps	Room Width Room Height =	Approx. Area (sq. ft.) per Fixture			
		10 ft-c	30 ft-c	50 ft-c	70 ft-c 100 ft-c
2' X 4'	5	-	86	52	37 -
2 Lamp T8	2	-	57	34	- -
Split Basket	1	124	41	-	- -

*Observe Fixture S/MH Requirements for Specific Applications

AVERAGE LUMINANCE CD/SQ.M WITH 2850 LUMEN LAMPS

ANGLE	END	45°	CROSS
45	1307	1461	1671
55	1257	1597	1741
65	1194	1627	1535
75	1076	1175	1003
85	865	803	695

TYPICAL V.C.P.'s

Room Size	Mounting Height	
	Lengthwise	Crosswise
8.5 10	8.5 10	8.5 10
30x30	64 67	64 66
40x40	64 65	64 65
60x30	68 70	68 69
60x60	63 64	65 65
100x100	64 64	67 66

COEFFICIENT OF UTILIZATION

pfc cc pw RCR	20		70		50	
	70	50	30	70	50	30
0	68	68	68	67	67	64
1	63	59	56	60	58	56
2	56	52	47	55	51	46
3	52	45	40	50	44	42
4	46	40	34	46	39	34
5	42	35	29	41	34	29
6	40	32	27	39	30	26
7	36	28	23	35	28	23
8	34	26	20	33	26	20
9	32	23	19	30	23	19
10	29	22	17	28	22	17

LIGHT DISTRIBUTION

DEGREES	LUMENS	% LAMP	% FIXTURE
0-30	819	14.4	24.8
0-40	1362	23.9	41.2
0-60	2547	44.7	77.1
0-90	3304	58.0	100.0

LLF = .75 LLF = LIGHT LOSS FACTOR LLF = LDD X LLD X BF LDD = VERY CLEAN 0.94 CLEAN 0.90
LLD = 0.91 @ 40% RATED LAMP LIFE BF = .88 ELECTRONIC BALLAST & T8 LAMP (RELAMP AT 70% LAMP LIFE)

PHOTOMETRIC DATA

CATALOG # 2AVG332-SPMW-1/3-EB
TEST #26748 S/MH= 1.3

LAMPS = F32T8
BALLAST = ELECTRONIC

INPUT WATTS = 87
BALLAST FACTOR = .88

LER = 45

COMPARATIVE YEARLY LIGHTING ENERGY COST PER 1000 LUMENS = \$5.33 BASED ON 3000 HRS. AND \$.08 PER KWH.

FIXTURE EFFICIENCY= 52.1%

CANDLEPOWER				
Angle	End	45	Cross	
0	1460	1460	1460	
5	1462	1456	1445	
10	1441	1439	1433	
15	1408	1413	1414	
20	1361	1375	1386	
25	1301	1327	1351	
30	1232	1272	1309	
35	1151	1207	1254	
40	1058	1136	1188	
45	957	1056	1121	
50	851	966	1034	
55	736	870	930	
60	623	760	800	
65	506	636	628	
70	397	486	402	
75	280	290	252	
80	171	144	149	
85	74	63	57	

MAINTAINED ILLUMINATION TABLE- Square Feet/Fixture*

- 80-50-20 Reflectances (Ceiling-Wall-Floor)
- LLF = 0.75 2850 Lumens/Lamp very clean
- Room width divided by room height = 5 or more, 2 or 1

Fixture Size & # of Lamps	Room Width Room Height =	Approx. Area (sq. ft.) per Fixture			
		10 ft-c	30 ft-c	50 ft-c	70 ft-c 100 ft-c
2' X 4'	5	-	116	70	50 35
3 Lamp T8	2	-	78	47	33 -
Split Basket	1	-	56	34	- -

*Observe Fixture S/MH Requirements for Specific Applications

AVERAGE LUMINANCE CD/SQ.M WITH 2850 LUMEN LAMPS

ANGLE	END	45°	CROSS
45	1821	2009	2133
55	1727	2041	2182
65	1611	2025	1999
75	1456	1508	1310
85	1142	973	880

TYPICAL V.C.P.'s

Room Size	Mounting Height	
	Lengthwise	Crosswise
8.5 10	8.5 10	8.5 10
30x30	58 62	59 62
40x40	58 60	59 60
60x30	63 65	63 65
60x60	58 58	59 59
100x100	59 59	62 61

COEFFICIENT OF UTILIZATION

pfc cc pw RCR	20		70		50	
	70	50	30	70	50	30
0	61	61	61	60	60	57
1	56	54	52	55	53	51
2	51	46	42	50	46	42
3	46	40	36	45	40	35
4	42	35	32	40	35	30
5	39	32	27	38	32	27
6	35	28	23	34	28	23
7	33	26	22	32	26	20
8	30	23	19	29	23	19
9	28	22	17	28	22	17
10	27	20	16	26	20	16

LIGHT DISTRIBUTION

DEGREES	LUMENS	% LAMP	% FIXTURE
0-30	1151	13.5	25.8
0-40	1904	22.3	42.8
0-60	3472	40.6	78.0
0-90	4452	52.1	100.0

LLF = .75 LLF = LIGHT LOSS FACTOR LLF = LDD X LLD X BF LDD = VERY CLEAN 0.94 CLEAN 0.90
LLD = 0.91 @ 40% RATED LAMP LIFE BF = .88 ELECTRONIC BALLAST & T8 LAMP (RELAMP AT 70% LAMP LIFE)

0219-AR

DAY-BRITE LIGHTING • www.daybritelighting.com
776 South Green Street • Tupelo, Mississippi 38804 • PH: (662) 842-7212 • FAX: (662) 841-5501
CANADIAN DIVISION
189 Bullock Drive • Markham, Ontario L3P 1W4 • PH: (905) 294-9570 • FAX: (905) 294-9811

©2007 DAY-BRITE LIGHTING
DB 07-07
DAY-BRITE RESERVES THE RIGHT TO
MAKE CHANGES WITHOUT NOTICE.

Day-Brite® Lighting
a Genlyte company