

**2 or 3 Lamp
T5 or T5HO
Recessed Direct/Indirect**

APPLICATION

- Architectural recessed direct/indirect lighting for glare free illumination.
- Low profile reflector and lamp cover provide a sleek, modern appearance.
- Shallow housing requires only 3-5/8" of plenum space, great for shallow plenum applications.
- Provides soft, uniform lighting without hot spots or dark areas.
- Housing edge design locates the bottom of the luminaire flush with the ceiling plane in standard grid (NEMA G) or screw slot (NEMA SS) applications.
- NOT suitable for flush mounting in narrow face grid (NEMA NFG) applications.
- Fully recessed mounting, suitable for row mounting.

CONSTRUCTION/FINISH

- Top reflector and end panels are formed together with no gaps.
- No visible welding, screws, latches, springs, hooks, rivets or plastic supports.

- Reflector features soft, high reflectance matte white finish that is applied after fabrication.
- Easy ballast access through lamp compartment.
- Optional hold down clips available (order separately: cat # AVHD).

ELECTRICAL

- Class P, HPF ballasts comply with ©Federal Ballast Law (Public Law 100-357,1988).
- UL listed for damp locations. C.S.A. certified optional.
- Self-contained fluorescent emergency power pack can be incorporated, UL listed for dry location.

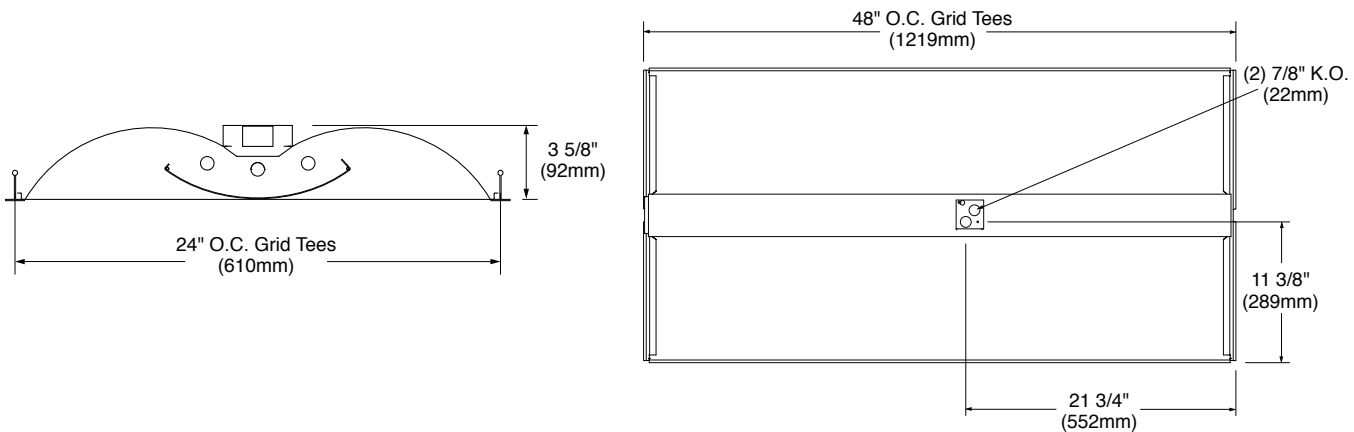
ENCLOSURES

- Micro-perforated mesh lamp shield provides soft awareness of light source.
- Soft white overlay on inside of micro-perforated mesh conceals lamp image and balances between reflected and direct light.
- Swing down lamp shield for easy relamping.

CATALOG NUMBER

2	AVE	G			- PMW -		
WIDTH 2 - 2'	CEILING TYPE G - Grid	LAMP TYPE/WATTAGE 28 - 28wT5 (46") 54HO - 54wT5HO (46")			VOLTAGE 120 277 347 UNV - Universal voltage, 120-277 volt		
FIXTURE FAMILY AVE - Arioso Essence	NO. OF LAMPS (not included) 2 3	SHIELDING PMW - Perforated Metal with White Overlay	OPTIONS				
		<p>CM - Canadian Market 1/2 - One 2-lamp ballast (electronic or non-standard) 1/21 - 2-lamp & 1-lamp ballasts (electronic or non-standard) 1/3 - One 3-lamp ballast (electronic or non-standard) EB - Electronic ballast, <20% THD EB10R - Electronic ballast, program rapid start, <10% THD EBD - Electronic dimming ballast E6 - DEB-6LP emerg. ballast, 750-1325 lumens E7LP - DEB-7LP emerg. ballast, 390-700 lumens F1 - Installed flex, 3/8" diameter, 18 gauge, 3 wire, 6' F2 - Installed flex, 3/8" diameter, 18 gauge, 4 wire, 6' GLR# - Fusing, fast blow (# = number of ballasts) LPT835 - Installed lamps, 80+ CRI, 3500K</p>					

DIMENSIONS



PHOTOMETRIC DATA

CATALOG # 2AVEG228-PMW-1/2-EB
TEST #27599 S/MH= 1.3

LAMPS = F28T5
BALLAST = ELECTRONIC

INPUT WATTS = 65
BALLAST FACTOR = 1.00

LER = 58

COMPARATIVE YEARLY LIGHTING ENERGY COST PER 1000 LUMENS = \$4.14 BASED ON 3000 HRS. AND \$.08 PER KWH.

FIXTURE EFFICIENCY= 72.4%

CANDLEPOWER			
Angle	End	45	Cross
0	1252	1252	1252
5	1252	1250	1237
10	1232	1235	1225
15	1199	1206	1202
20	1160	1175	1178
25	1108	1129	1142
30	1041	1077	1101
35	966	1015	1054
40	882	948	998
45	790	875	936
50	690	796	871
55	581	717	804
60	469	634	726
65	364	546	624
70	270	448	468
75	184	315	242
80	105	113	122
85	43	41	45

MAINTAINED ILLUMINATION TABLE- Square Feet/Fixture*

- 80-50-20 Reflectances (Ceiling-Wall-Floor)
- LLF = 0.89 2600 Lumens/Lamp very clean
- Room width divided by room height = 5 or more, 2 or 1

Fixture Size & # of Lamps	Room Width Room Height =	Approx. Area (sq. ft.) per Fixture				
		10 ft-c	30 ft-c	50 ft-c	70 ft-c	100 ft-c
2' X 4' 2 Lamp T5 perf.	5 2 1	- - -	116 78 56	70 47 34	50 33 -	35 - -

*Observe Fixture S/MH Requirements for Specific Applications

AVERAGE LUMINANCE CD/SQ.M WITH 2600 LUMEN LAMPS

ANGLE	END	45°	CROSS
45	1503	1665	1781
55	1363	1682	1886
65	1159	1738	1987
75	957	1638	1258
85	664	633	695

TYPICAL V.C.P.'s

Room Size	Mounting Height	
	Lengthwise	Crosswise
30x30	8.5	10
40x40	6.3	6.6
60x30	6.3	6.4
60x60	6.7	6.8
60x60	6.4	6.4
100x100	6.7	6.6

COEFFICIENT OF UTILIZATION

pfc cc pw RCR	20		70		50	
	70	50	30	70	50	30
0	85	85	85	83	83	83
1	79	75	71	77	72	70
2	70	65	59	68	64	58
3	65	56	51	63	56	50
4	58	50	44	56	48	42
5	54	45	38	53	44	38
6	50	40	34	48	40	33
7	46	35	29	45	35	29
8	42	33	27	41	33	27
9	40	29	23	39	29	23
10	38	28	22	36	28	22

LIGHT DISTRIBUTION

DEGREES	LUMENS	% LAMP	% FIXTURE
0-30	979	18.8	26.0
0-40	1613	31.0	42.9
0-60	2913	56.0	77.4
0-90	3763	72.4	100.0

LLF = .89 LLF = LIGHT LOSS FACTOR LLF = LDD X LLD X BF LDD = VERY CLEAN 0.94 CLEAN 0.90
LDD = 0.95 @ 40% RATED LAMP LIFE BF = 1.00 ELECTRONIC BALLAST & T5 LAMP (RELAMP AT 70% LAMP LIFE)

PHOTOMETRIC DATA

CATALOG # 2AVEG328-PMW-1/21-EB
TEST #27598 S/MH= 1.3

LAMPS = F28T5
BALLAST = ELECTRONIC

INPUT WATTS = 95
BALLAST FACTOR = 1.00

LER = 55

COMPARATIVE YEARLY LIGHTING ENERGY COST PER 1000 LUMENS = \$4.36 BASED ON 3000 HRS. AND \$.08 PER KWH.

FIXTURE EFFICIENCY= 67.2%

CANDLEPOWER			
Angle	End	45	Cross
0	1782	1782	1782
5	1776	1782	1753
10	1749	1762	1736
15	1706	1724	1708
20	1647	1674	1668
25	1566	1606	1614
30	1474	1531	1548
35	1367	1437	1474
40	1243	1337	1391
45	1109	1228	1299
50	964	1111	1196
55	807	988	1091
60	655	866	972
65	502	735	818
70	366	589	611
75	246	408	315
80	139	152	165
85	53	56	60

MAINTAINED ILLUMINATION TABLE- Square Feet/Fixture*

- 80-50-20 Reflectances (Ceiling-Wall-Floor)
- LLF = 0.89 2600 Lumens/Lamp very clean
- Room width divided by room height = 5 or more, 2 or 1

Fixture Size & # of Lamps	Room Width Room Height =	Approx. Area (sq. ft.) per Fixture				
		10 ft-c	30 ft-c	50 ft-c	70 ft-c	100 ft-c
2' X 4' 3 Lamp T5 perf.	5 2 1	- - -	- 109 79	97 65 47	69 47 34	49 33 -

*Observe Fixture S/MH Requirements for Specific Applications

AVERAGE LUMINANCE CD/SQ.M WITH 2600 LUMEN LAMPS

ANGLE	END	45°	CROSS
45	2110	2337	2472
55	1893	2318	2559
65	1598	2340	2604
75	1279	2121	1638
85	818	865	926

TYPICAL V.C.P.'s

Room Size	Mounting Height	
	Lengthwise	Crosswise
30x30	8.5	10
40x40	5.7	6.0
60x30	5.7	5.8
60x60	6.1	6.2
60x60	5.8	5.7
100x100	6.2	6.0

COEFFICIENT OF UTILIZATION

pfc cc pw RCR	20		70		50	
	70	50	30	70	50	30
0	80	80	80	78	78	75
1	72	69	67	70	68	66
2	66	60	56	65	58	55
3	59	53	47	58	52	46
4	55	46	40	54	46	40
5	51	41	35	48	40	34
6	46	38	32	45	36	30
7	42	34	28	41	34	27
8	40	30	25	39	30	25
9	38	28	23	36	28	23
10	34	26	20	34	26	20

LIGHT DISTRIBUTION

DEGREES	LUMENS	% LAMP	% FIXTURE
0-30	1394	17.9	26.6
0-40	2291	29.4	43.7
0-60	4100	52.6	78.3
0-90	5239	67.2	100.0

LLF = .89 LLF = LIGHT LOSS FACTOR LLF = LDD X LLD X BF LDD = VERY CLEAN 0.94 CLEAN 0.90
LDD = 0.95 @ 40% RATED LAMP LIFE BF = 1.00 ELECTRONIC BALLAST & T5 LAMP (RELAMP AT 70% LAMP LIFE)