

**2 Lamp  
T5**

**Recessed Direct/Indirect**

**APPLICATION**

- Architectural recessed direct/indirect lighting for glare free illumination.
- Low profile reflector and lamp cover provide a sleek, modern appearance.
- Shallow housing requires only 3-5/8" of plenum space, great for shallow plenum applications.
- Provides soft, uniform lighting without hot spots or dark areas.
- Housing edge design locates the bottom of the luminaire flush with the ceiling plane in standard grid (NEMA G) or screw slot (NEMA SS) applications.
- NOT suitable for flush mounting in narrow face grid (NEMA NFG) applications.
- Fully recessed mounting, suitable for row mounting.

**CONSTRUCTION/FINISH**

- Top reflector and end panels are formed together with no gaps.
- No visible welding, screws, latches, springs, hooks, rivets or plastic supports.

- Reflector features soft, high reflectance matte white finish that is applied after fabrication.
- Easy ballast access through lamp compartment.
- Optional hold down clips available (order separately: cat # AVHD).

**ELECTRICAL**

- Class P, HPF ballasts comply with ©Federal Ballast Law (Public Law 100-357,1988).
- UL listed for damp locations. C.S.A. certified optional.
- Self-contained fluorescent emergency power pack can be incorporated, UL listed for dry locations.

**ENCLOSURES**

- Split diffusers combine frosted, ridged glass with satin-finished natural metal hinge panels to incorporate premium textures and finishes.
- Swing down lamp shields for easy relamping.

**CATALOG NUMBER**

**2** **AVE** **G** **2** **FGL**

**WIDTH**  
2 - 2'

**CEILING TYPE**  
G - Grid

**LAMP TYPE/WATTAGE**  
28 - 28wT5 (46")

**VOLTAGE**  
120  
277  
347  
UNV - Universal voltage, 120-277 volt

**FIXTURE FAMILY**  
AVE - Ariosso Essence

**NO. OF LAMPS**  
(not included)  
2

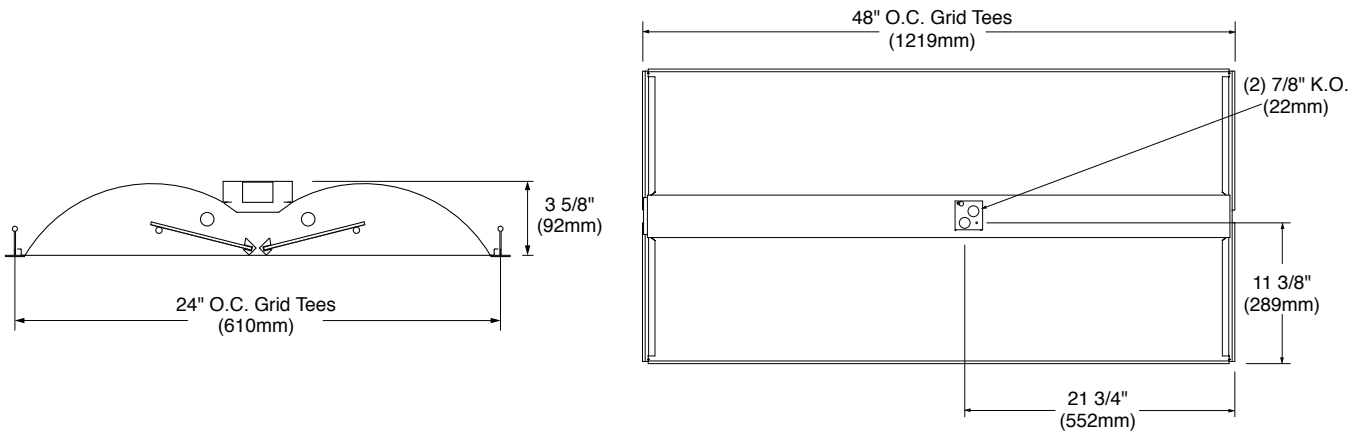
**SHIELDING**  
FGL - Frosted ridged glass

**OPTIONS**  
**CM** - Canadian Market  
**1/2** - One 2-lamp ballast (electronic or non-standard)  
**EB** - Electronic ballast, <20% THD  
**EB10R** - Electronic ballast, program rapid start, <10% THD  
**EBD** - Electronic dimming ballast  
**E6** - DEB-6LP emerg. ballast, 750-1325 lumens  
**E7LP** - DEB-7LP emerg. ballast, 430-700 lumens (UL dry loc.)  
**F1** - Installed flex, 3/8" diameter, 18 gauge, 3 wire, 6'  
**F2** - Installed flex, 3/8" diameter, 18 gauge, 4 wire, 6'  
**GLR#** - Fusing, fast blow (# = number of ballasts)  
**LPT835** - Installed lamps, 80+ CRI, 3500K

**JOB INFORMATION**

**0278-AR**

## DIMENSIONS



## PHOTOMETRIC DATA

CATALOG # 2AVEG228-FGL-1/2-EB  
TEST #27905 S/MH=1.3

LAMPS = F28T5  
BALLAST = ELECTRONIC

INPUT WATTS = 64  
BALLAST FACTOR = 1.00

LER = 58

COMPARATIVE YEARLY LIGHTING ENERGY COST PER 1000 LUMENS = \$4.14 BASED ON 3000 HRS. AND \$.08 PER KWH.

FIXTURE EFFICIENCY = 71.3%

CANDLEPOWER			
Angle	End	45	Cross
0	1312	1312	1312
5	1309	1301	1294
10	1293	1286	1280
15	1259	1254	1251
20	1213	1209	1211
25	1153	1154	1159
30	1083	1089	1104
35	1006	1019	1044
40	919	945	969
45	830	867	879
50	732	777	785
55	634	678	693
60	529	581	604
65	427	482	507
70	324	387	385
75	224	277	219
80	128	132	122
85	47	51	41

### MAINTAINED ILLUMINATION TABLE- Square Feet/Fixture\*

- 80-50-20 Reflectances (Ceiling-Wall-Floor)
- LLF = 0.89 2600 Lumens/Lamp very clean
- Room width divided by room height = 5 or more, 2 or 1

Fixture Size & # of Lamps	Room Width Room Height =	Approx. Area (sq. ft.) per Fixture				
		10 ft-c	30 ft-c	50 ft-c	70 ft-c	100 ft-c
2' X 4'	5	-	115	69	49	34
2 Lamp T5	2	-	77	46	33	-
glass	1	-	56	34	-	-

\*Observe Fixture S/MH Requirements for Specific Applications

### AVERAGE LUMINANCE CD/SQ.M WITH 2600 LUMEN LAMPS

ANGLE	END	45°	CROSS
45	1579	1650	1673
55	1487	1590	1626
65	1359	1535	1614
75	1164	1440	1138
85	726	787	633

### TYPICAL V.C.P.'s

Room Size	Mounting Height			
	8.5	10	8.5	10
30x30	63	66	62	65
40x40	62	64	63	64
60x30	66	69	66	68
60x60	63	63	63	63
100x100	65	64	66	65

### COEFFICIENT OF UTILIZATION

pfc ccc pw RCR	20		30		40		50		70		100	
	70	50	70	50	70	50	70	50	70	50	70	50
0	84	84	84	82	82	82	79	79	79	79	79	79
1	78	73	70	76	72	69	68	67	68	67	68	67
2	69	65	59	68	63	58	60	56	60	56	60	56
3	64	56	51	61	55	50	53	48	53	48	53	48
4	58	50	44	56	48	42	46	41	46	41	46	41
5	54	45	38	52	44	38	41	36	41	36	41	36
6	50	40	34	47	40	33	38	33	38	33	38	33
7	46	35	29	45	35	29	34	28	34	28	34	28
8	42	33	27	41	33	27	32	27	32	27	32	27
9	40	30	25	39	29	23	28	23	28	23	28	23
10	38	28	22	36	28	22	27	22	27	22	27	22

### LIGHT DISTRIBUTION

DEGREES	LUMENS	% LAMP	% FIXTURE
0-30	1010	19.4	27.2
0-40	1650	31.7	44.5
0-60	2911	56.0	78.5
0-90	3710	71.3	100.0

LLF = .89 LLF = LIGHT LOSS FACTOR LLF = LDD X LLD X BF LDD = VERY CLEAN 0.94 CLEAN 0.90  
LLD = 0.95 @ 40% RATED LAMP LIFE BF = 1.00 ELECTRONIC BALLAST & T5 LAMP (RELAMP AT 70% LAMP LIFE)