

**1, 2, or 3 Lamp  
T8, T5, T5HO, or CF TT5  
Recessed Direct/Indirect**

**APPLICATION**

- Architectural air handling recessed direct/indirect lighting for glare free illumination.
- Air return through side slots.
- Suitable for grid inverted T (Nema “G”) ceilings. Flange type ceilings (Nema “F”) require independently mounted flange kits (FMA).
- Fully recessed mounting, suitable for row mounting.

**CONSTRUCTION/FINISH**

- Top reflector and end panels are formed together with no gaps.
- No visible welding, screws, latches, springs, hooks, rivets or plastic supports.
- Soft white baked enamel finish.
- Easy ballast access through lamp compartment.
- Optional hold down clips available (order separately: cat # **AVHD**).
- See sheet 324-AR for air handling data.

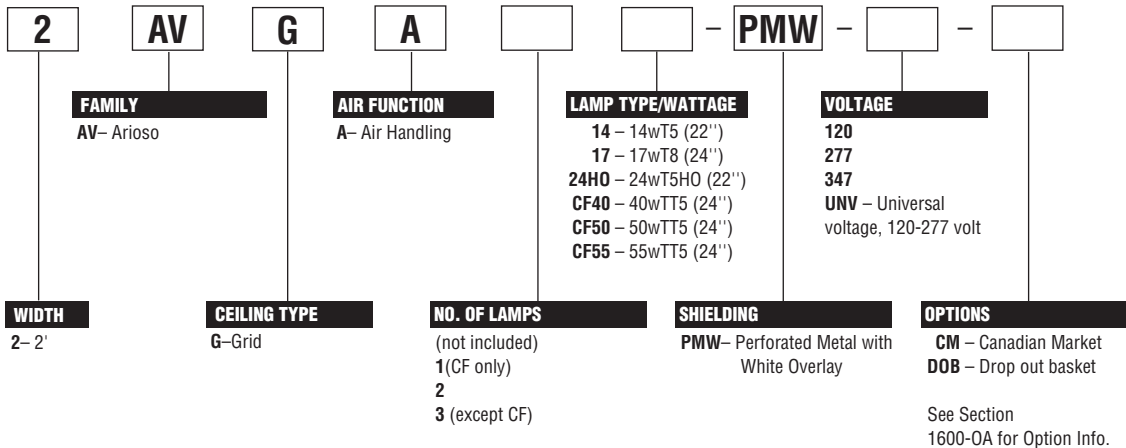
**ELECTRICAL**

- Class P, HPF ballasts comply with ©Federal Ballast Law (Public Law 100-357, 1988).
- UL listed for damp locations. Canadian certified optional.
- Self-contained fluorescent emergency power pack can be incorporated.

**ENCLOSURES**

- Micro-perforated mesh lamp shield provides soft awareness of light source.
- Soft white overlay on inside of micro-perforated mesh conceals lamp image and balances between reflected and direct light.
- Swing down lamp shield for easy relamping.
- Optional drop out basket will fall out in fire situation before flames reach the luminaire.

**CATALOG NUMBER**

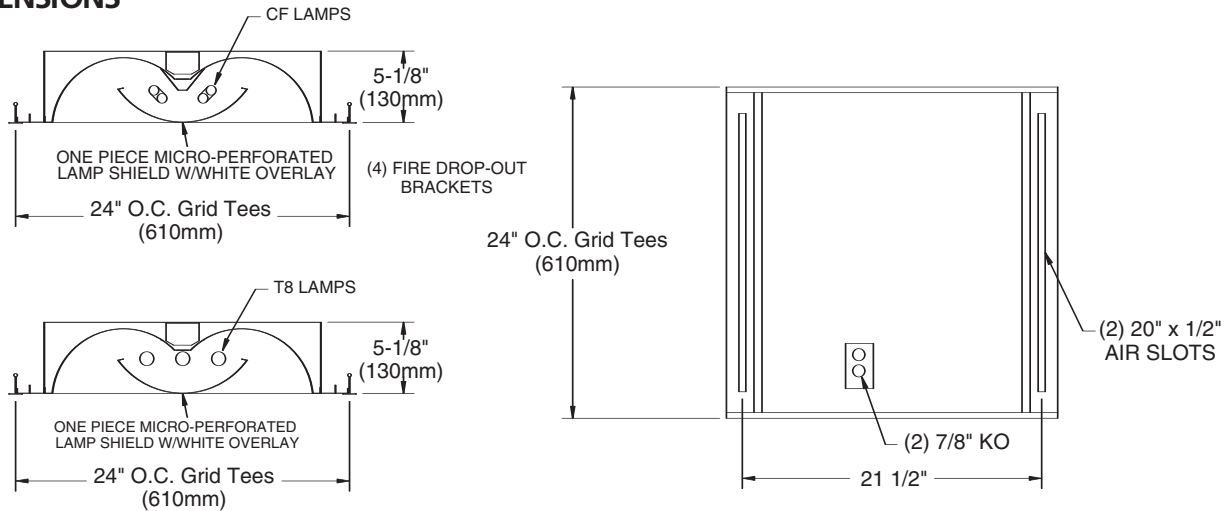


**NOTES:**

- With generic Electronic Ballasts (Brand selected by Day-Brite)  
Suffix Catalog # with- **Ballast Quantity** - / - **EB Lamps Per Ballast**.

**Example:** -1/2-EB = One 2 Lamp Electronic Ballast.

## DIMENSIONS



## PHOTOMETRIC DATA

CATALOG # 2AVGA2CF40-PMW-1/2-EB LAMPS = 40wTTS INPUT WATTS = 67  
 TEST #24684 S/MH= 1.3 BALLAST = ELECTRONIC BALLAST FACTOR = .88

LER = 50

COMPARATIVE YEARLY LIGHTING ENERGY COST PER 1000 LUMENS = \$4.80 BASED ON 3000 HRS. AND \$.08 PER KWH.

FIXTURE EFFICIENCY= 60.6%

CANDLEPOWER				
Angle	End	45	Cross	
0	1380	1380	1380	
5	1377	1375	1379	
10	1354	1357	1363	
15	1321	1328	1339	
20	1277	1288	1304	
25	1215	1236	1251	
30	1151	1181	1200	
35	1075	1109	1132	
40	983	1026	1052	
45	885	934	952	
50	782	835	834	
55	673	722	694	
60	564	594	529	
65	459	453	368	
70	354	297	276	
75	254	191	187	
80	142	120	111	
85	58	50	47	

MAINTAINED ILLUMINATION TABLE- Square Feet/Fixture*						
<ul style="list-style-type: none"> <li>80-50-20 Reflectances (Ceiling-Wall-Floor)</li> <li>LLF = 0.75 3150 Lumens/Lamp very clean</li> <li>Room width divided by room height = 5 or more, 2 or 1</li> </ul>						
Fixture Size & # of Lamps	Room Width Room Height =	Approx. Area (sq. ft.) per Fixture				
		10 ft-c	30 ft-c	50 ft-c	70 ft-c	100 ft-c
2' X 2' 2 Lamp CF40	5 2 1	- - 148	99 68 49	59 41 -	42 -	- -

\*Observe Fixture S/MH Requirements for Specific Applications

AVERAGE LUMINANCE CD/SQ.M WITH 3150 LUMEN LAMPS				
ANGLE	END	45°	CROSS	
45	4373	4615	4704	
55	4100	4398	4228	
65	3795	3745	3042	
75	3429	2578	2524	
85	2325	2004	1884	

Room Size	TYPICAL V.C.P.'s Mounting Height			
	Lengthwise	Crosswise		
	8.5	10	8.5	10
30x30	43	46	46	49
40x40	43	44	46	47
60x30	48	50	50	52
60x60	42	42	45	45
100x100	42	43	46	46

COEFFICIENT OF UTILIZATION											
pfc	pcc	pw	20			70			50		
			70	50	30	70	50	30	50	30	
RCR	0	1	71	71	71	69	69	69	67	67	
	1	2	66	63	60	64	61	59	58	56	
	2	3	59	55	51	58	54	50	52	48	
	3	4	55	48	44	53	47	42	46	41	
	4	5	50	42	38	48	41	36	40	36	
	5	6	46	39	33	45	38	33	36	32	
	6	7	42	34	28	41	34	28	33	28	
	7	8	40	32	26	39	30	26	29	26	
	8	9	36	28	23	35	28	23	28	23	
	9	10	34	26	20	34	26	20	25	20	
	10		32	23	20	32	23	19	23	19	

LIGHT DISTRIBUTION			
DEGREES	LUMENS	% LAMP	% FIXTURE
0-30	1073	17.0	28.1
0-40	1763	28.0	46.2
0-60	3101	49.2	81.2
0-90	3819	60.6	100.0

LLF = .75 LLF = LIGHT LOSS FACTOR LLF = LDD X LLD X BF LDD = VERY CLEAN 0.94 CLEAN 0.90  
 LLD = 0.88 @ 40% RATED LAMP LIFE BF = .88 ELECTRONIC BALLAST & 40W TTS LAMP (RELAMP AT 70% LAMP LIFE)

## PHOTOMETRIC DATA

CATALOG # 2AVGA317-PMW-1/3-EB LAMPS = F17T8 INPUT WATTS = 44  
 TEST #24695 S/MH= 1.3 BALLAST = ELECTRONIC BALLAST FACTOR = .99

LER = 47

COMPARATIVE YEARLY LIGHTING ENERGY COST PER 1000 LUMENS = \$5.11 BASED ON 3000 HRS. AND \$.08 PER KWH.

FIXTURE EFFICIENCY= 52.6%

CANDLEPOWER				
Angle	End	45	Cross	
0	775	775	775	
5	772	772	768	
10	760	762	760	
15	739	744	746	
20	711	719	726	
25	675	691	699	
30	635	656	666	
35	590	614	626	
40	540	567	576	
45	484	513	519	
50	424	453	450	
55	360	388	372	
60	298	316	276	
65	238	236	192	
70	180	153	145	
75	124	102	102	
80	70	64	61	
85	27	27	27	

MAINTAINED ILLUMINATION TABLE- Square Feet/Fixture*						
<ul style="list-style-type: none"> <li>80-50-20 Reflectances (Ceiling-Wall-Floor)</li> <li>LLF = 0.84 1325 Lumens/Lamp very clean</li> <li>Room width divided by room height = 5 or more, 2 or 1</li> </ul>						
Fixture Size & # of Lamps	Room Width Room Height =	Approx. Area (sq. ft.) per Fixture				
		10 ft-c	30 ft-c	50 ft-c	70 ft-c	100 ft-c
2' X 2' 3 Lamp T8	5 2 1	- - 92	61 42 31	37 -	- -	- -

\*Observe Fixture S/MH Requirements for Specific Applications

AVERAGE LUMINANCE CD/SQ.M WITH 1325 LUMEN LAMPS				
ANGLE	END	45°	CROSS	
45	2392	2535	2564	
55	2193	2364	2266	
65	1968	1951	1587	
75	1674	1377	1377	
85	1082	1082	1082	

Room Size	TYPICAL V.C.P.'s Mounting Height			
	Lengthwise	Crosswise		
	8.5	10	8.5	10
30x30	59	62	61	64
40x40	58	60	60	62
60x30	63	65	64	66
60x60	58	58	59	60
100x100	58	59	60	60

COEFFICIENT OF UTILIZATION											
pfc	pcc	pw	20			70			50		
			70	50	30	70	50	30	50	30	
RCR	0	1	63	63	63	60	60	60	57	57	
	1	2	56	55	53	56	54	52	52	50	
	2	3	52	47	45	51	46	44	45	42	
	3	4	47	41	38	46	41	38	40	36	
	4	5	44	38	33	42	36	33	35	32	
	5	6	40	34	28	39	33	28	32	28	
	6	7	36	29	26	35	29	26	28	25	
	7	8	34	28	23	34	27	23	26	22	
	8	9	32	25	20	30	25	20	23	20	
	9	10	29	23	19	28	23	19	22	17	
	10		28	20	17	28	20	17	20	17	

LIGHT DISTRIBUTION			
DEGREES	LUMENS	% LAMP	% FIXTURE
0-30	601	15.1	28.7
0-40	983	24.7	47.0
0-60	1712	43.1	81.8
0-90	2092	52.6	100.0

LLF = .84 LLF = LIGHT LOSS FACTOR LLF = LDD X LLD X BF LDD = VERY CLEAN 0.94 CLEAN 0.90  
 LLD = 0.90 @ 40% RATED LAMP LIFE BF = .99 ELECTRONIC BALLAST & T8 LAMP (RELAMP AT 70% LAMP LIFE)

**0285-AR**

DAY-BRITE LIGHTING • www.daybritelighting.com  
 776 South Green Street • Tupelo, Mississippi 38804 • PH: (662) 842-7212 • FAX: (662) 841-5501  
**CANADIAN DIVISION**  
 189 Bullock Drive • Markham, Ontario L3P 1W4 • PH: (905) 294-9570 • FAX: (905) 294-9811

©2007 DAY-BRITE LIGHTING  
 DB 02-07  
 DAY-BRITE RESERVES THE RIGHT TO  
 MAKE CHANGES WITHOUT NOTICE.

Day-Brite® Lighting  
 a Genlyte company