

**2, 3, or 4 Lamp  
T8, T5, T5HO, or CF TT5  
Recessed Direct/Indirect**

**APPLICATION**

- Architectural air handling recessed direct/indirect lighting for glare free illumination.
- Air return through side slots.
- Suitable for grid inverted T (Nema "G") ceilings. Flange type ceilings (Nema "F") require independently mounted flange kits (FMA).
- Fully recessed mounting, suitable for row mounting.

**CONSTRUCTION/FINISH**

- Top reflector and end panels are formed together with no gaps.
- No visible welding, screws, latches, springs, hooks, rivets or plastic supports.
- Soft white baked enamel finish.
- Easy ballast access through lamp compartment.
- Optional hold down clips available (order separately: cat # AVHD).
- See sheet 324-AR for air handling data.

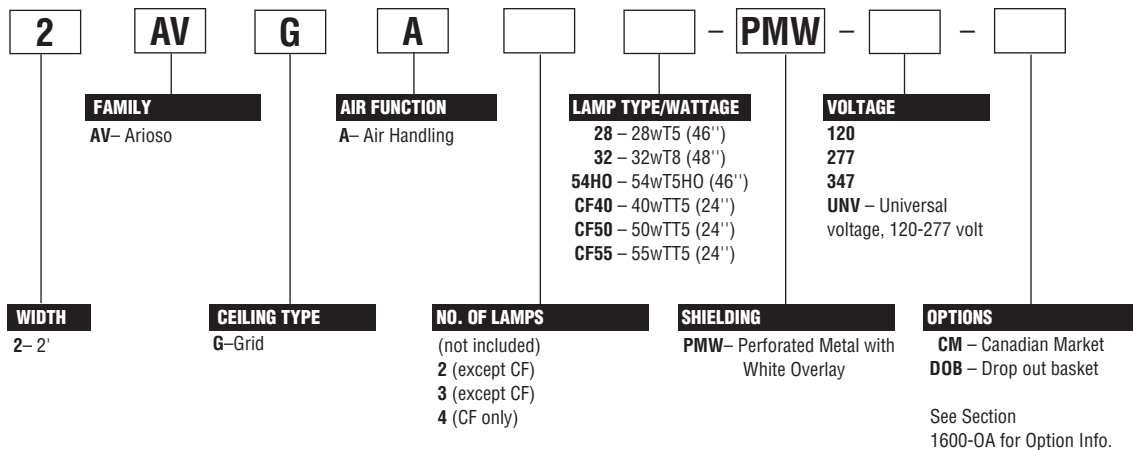
**ELECTRICAL**

- Class P, HPF ballasts comply with © Federal Ballast Law (Public Law 100-357, 1988).
- UL listed for damp locations. Canadian certified optional.
- Self-contained fluorescent emergency power pack can be incorporated.

**ENCLOSURES**

- Micro-perforated mesh lamp shield provides soft awareness of light source.
- Soft white overlay on inside of micro-perforated mesh conceals lamp image and balances between reflected and direct light.
- Swing down lamp shield for easy relamping.
- Optional drop out basket will fall out in fire situation before flames reach the luminaire.

**CATALOG NUMBER**

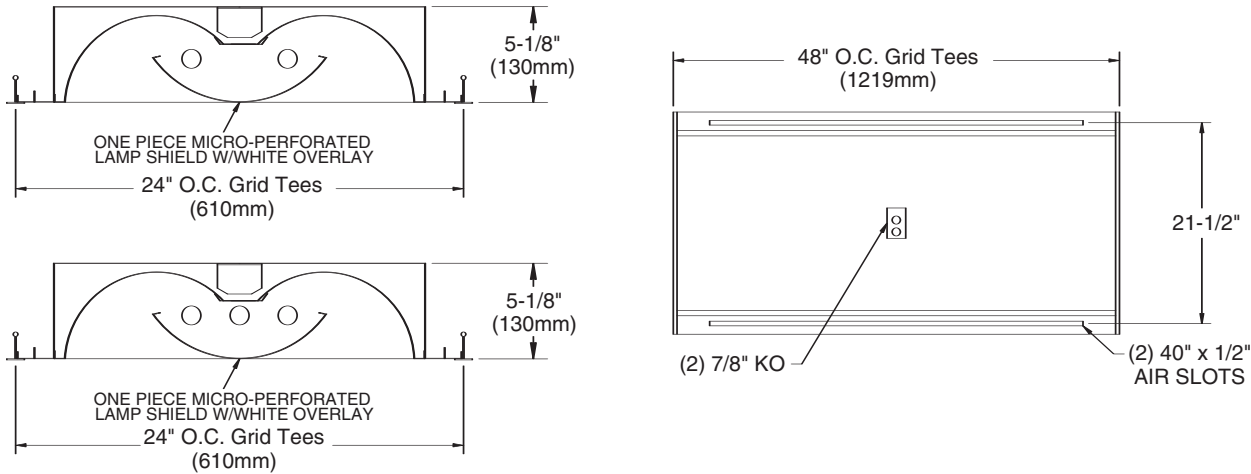


**NOTES:**

- With generic Electronic Ballasts (Brand selected by Day-Brite)  
Suffix Catalog # with- **Ballast Quantity** - / - **EB Lamps Per Ballast.**

**Example:** -1/2-EB = One 2 Lamp Electronic Ballast.

## DIMENSIONS



## PHOTOMETRIC DATA

CATALOG # 2AVGA232-PMW-1/2-EB  
TEST #24697 S/MH= 1.3

LAMPS = F32T8  
BALLAST = ELECTRONIC

INPUT WATTS = 58  
BALLAST FACTOR = .88

LER = 50

COMPARATIVE YEARLY LIGHTING ENERGY COST PER 1000 LUMENS = \$4.80 BASED ON 3000 HRS. AND \$.08 PER KWH.

FIXTURE EFFICIENCY= 57.8%

CANDLEPOWER			
Angle	End	45	Cross
0	1163	1163	1163
5	1167	1162	1149
10	1149	1148	1139
15	1120	1125	1122
20	1083	1093	1096
25	1039	1056	1064
30	980	1003	1025
35	910	947	969
40	838	883	906
45	757	813	825
50	674	735	727
55	579	641	601
60	488	528	452
65	400	399	307
70	310	252	234
75	219	156	163
80	132	97	98
85	54	46	42

### MAINTAINED ILLUMINATION TABLE- Square Feet/Fixture\*

- 80-50-20 Reflectances (Ceiling-Wall-Floor)
- LLF = 0.75 2850 Lumens/Lamp very clean
- Room width divided by room height = 5 or more, 2 or 1

Fixture Size & # of Lamps	Room Width Room Height =	Approx. Area (sq. ft.) per Fixture				
		10 ft-c	30 ft-c	50 ft-c	70 ft-c	100 ft-c
2' X 4' 2 Lamp T8	5	-	86	52	37	-
	2	-	59	35	-	-
	1	129	43	-	-	-

\*Observe Fixture S/MH Requirements for Specific Applications

### AVERAGE LUMINANCE CD/SQ.M WITH 2850 LUMEN LAMPS

ANGLE	END	45°	CROSS
45	1820	1955	1984
55	1716	1900	1782
65	1609	1605	1235
75	1439	1025	1071
85	1053	897	819

### TYPICAL V.C.P.'s

Room Size	Mounting Height	
	Lengthwise	Crosswise
	8.5	10
30x30	63	66
40x40	62	64
60x30	67	69
60x60	62	65
100x100	62	65

### COEFFICIENT OF UTILIZATION

pfc ccc pw RCR	20		70		50	
	70	50	30	30	50	30
0	68	68	68	67	67	64
1	63	59	57	60	58	56
2	56	53	48	56	52	47
3	52	46	41	51	45	40
4	47	40	35	46	40	35
5	44	36	32	42	35	30
6	40	33	28	40	32	28
7	38	29	25	36	28	25
8	34	27	22	34	27	22
9	33	25	20	32	25	20
10	30	23	19	29	23	17

### LIGHT DISTRIBUTION

DEGREES	LUMENS	% LAMP	% FIXTURE
0-30	911	16.0	27.6
0-40	1502	26.4	45.6
0-60	2667	46.8	80.9
0-90	3296	57.8	100.0

LLF = .75 LLF = LIGHT LOSS FACTOR LLF = LDD X LLD X BFF LDD = VERY CLEAN 0.94 CLEAN 0.90  
LLD = 0.91 @ 40% RATED LAMP LIFE BFF = .88 ELECTRONIC BALLAST & T8 LAMP (RELAMP AT 70% LAMP LIFE)

## PHOTOMETRIC DATA

CATALOG # 2AVGA332-PMW-1/3-EB  
TEST #24696 S/MH= 1.3

LAMPS = F32T8  
BALLAST = ELECTRONIC

INPUT WATTS = 81  
BALLAST FACTOR = .88

LER = 52

COMPARATIVE YEARLY LIGHTING ENERGY COST PER 1000 LUMENS = \$4.62 BASED ON 3000 HRS. AND \$.08 PER KWH.

FIXTURE EFFICIENCY= 56.5%

CANDLEPOWER			
Angle	End	45	Cross
0	1735	1735	1735
5	1739	1728	1714
10	1711	1705	1695
15	1670	1669	1667
20	1614	1621	1628
25	1543	1561	1579
30	1454	1487	1513
35	1354	1397	1426
40	1242	1299	1320
45	1121	1189	1191
50	991	1065	1042
55	855	919	859
60	719	755	645
65	584	570	439
70	453	361	338
75	321	226	240
80	192	141	145
85	82	65	61

### MAINTAINED ILLUMINATION TABLE- Square Feet/Fixture\*

- 80-50-20 Reflectances (Ceiling-Wall-Floor)
- LLF = 0.75 2850 Lumens/Lamp very clean
- Room width divided by room height = 5 or more, 2 or 1

Fixture Size & # of Lamps	Room Width Room Height =	Approx. Area (sq. ft.) per Fixture				
		10 ft-c	30 ft-c	50 ft-c	70 ft-c	100 ft-c
2' X 4' 3 Lamp T8	5	-	127	76	54	38
	2	-	86	52	37	-
	1	-	63	38	-	-

\*Observe Fixture S/MH Requirements for Specific Applications

### AVERAGE LUMINANCE CD/SQ.M WITH 2850 LUMEN LAMPS

ANGLE	END	45°	CROSS
45	2695	2859	2864
55	2534	2724	2546
65	2350	2293	1766
75	2109	1485	1577
85	1600	1268	1190

### TYPICAL V.C.P.'s

Room Size	Mounting Height	
	Lengthwise	Crosswise
	8.5	10
30x30	55	58
40x40	54	56
60x30	59	62
60x60	53	54
100x100	53	58

### COEFFICIENT OF UTILIZATION

pfc ccc pw RCR	20		70		50	
	70	50	30	30	50	30
0	67	67	67	66	66	63
1	61	58	56	59	57	55
2	56	52	47	55	51	46
3	51	45	40	50	44	40
4	46	40	34	46	39	34
5	42	35	30	41	34	30
6	40	32	27	39	32	27
7	36	28	23	35	28	23
8	34	27	22	34	26	22
9	32	25	20	30	23	20
10	29	23	17	28	22	17

### LIGHT DISTRIBUTION

DEGREES	LUMENS	% LAMP	% FIXTURE
0-30	1353	15.8	28.0
0-40	2224	26.0	46.1
0-60	3921	45.9	81.2
0-90	4829	56.5	100.0

LLF = .75 LLF = LIGHT LOSS FACTOR LLF = LDD X LLD X BFF LDD = VERY CLEAN 0.94 CLEAN 0.90  
LLD = 0.91 @ 40% RATED LAMP LIFE BFF = .88 ELECTRONIC BALLAST & T8 LAMP (RELAMP AT 70% LAMP LIFE)