

2 or 3 Lamp
T8, T5, T5HO, or CF TT5

APPLICATION

- Architectural recessed direct/indirect lighting for glare free illumination.
- Combines a low profile reflector with a sleek basket shape for a modern appearance.
- Shallow housing requires only 3-5/8" of plenum space, great for shallow plenum applications.
- Models with emergency ballast or multiple ballasts require 5-1/4" of plenum space.
- Basket extends less than 1-1/2" below the ceiling plane for CF/TT5 models and less than 2-1/2" below the ceiling for T8 models.
- Provides soft, uniform lighting without hot spots or dark areas.
- Housing edge design locates the bottom of the reflector flush with the ceiling plane in standard grid (NEMA G) or screw slot (NEMA SS) applications.
- NOT suitable for flush mounting in narrow face grid (NEMA NFG) applications.
- For applications where plenum depth is limited.
- Suitable for row mounting.

CONSTRUCTION/FINISH

- Top reflector and end panels are formed together with no gaps.
- No visible welding, screws, latches, springs, hooks, rivets or plastic supports.
- Reflector features soft, high reflectance matte white finish that is applied after fabrication.
- Easy ballast access through lamp compartment.
- Optional hold down clips available. (Order separately: cat # AVHD)

ELECTRICAL

- Class P, HPF ballasts comply with ©Federal Ballast Law (Public Law 100-357,1988).
- UL listed for damp locations. C.S.A. certified optional.
- Self-contained fluorescent emergency power pack can be incorporated in some models, UL listed for dry locations.

ENCLOSURES

- Micro-perforated mesh lamp shield provides soft awareness of light source.
- Swing down lamp shield for easy relamping.
- Soft white overlay on inside of micro-perforated mesh conceals lamp image and balances reflected and direct light.

CATALOG NUMBER

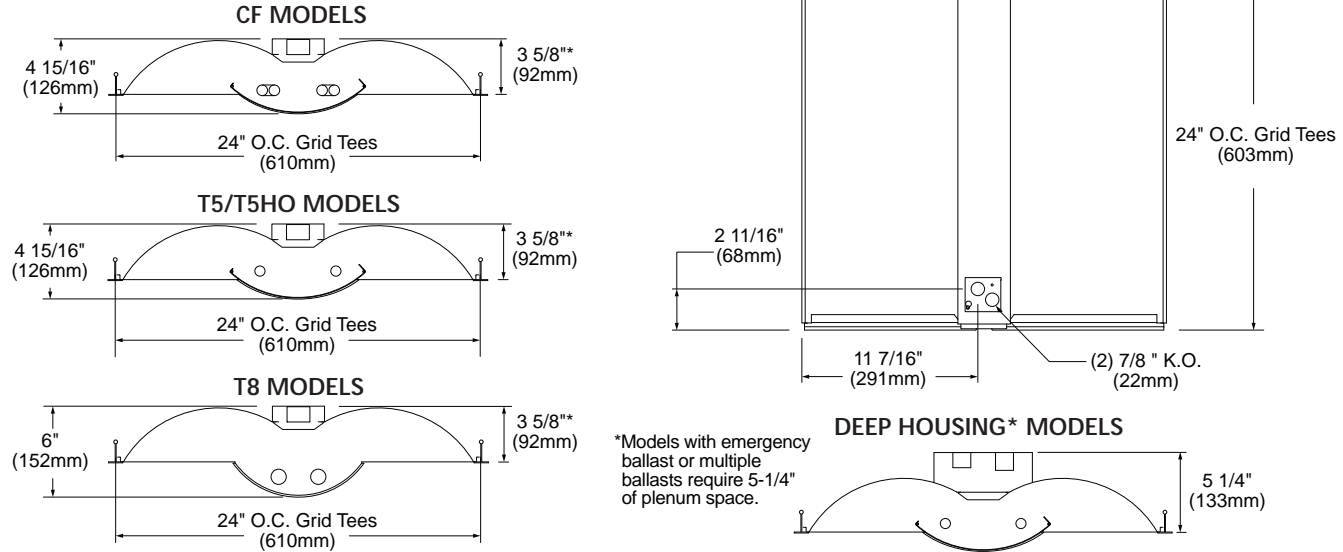
2	AVD	G			- PMW -		
WIDTH 2 - 2'	CEILING TYPE G - Grid	LAMP TYPE/WATTAGE 14 - 14wT5 (22") 17 - 17wT8 (24") 24HO - 24wT5HO (22") CF40 - 40wTT5 (24") CF50 - 50wTT5 (24") CF55 - 55wTT5 (24")	VOLTAGE 120 277 347 UNV - Universal voltage, 120-277 volt	FIXTURE FAMILY AVD - Arioso Mid-Depth Semi-Recessed	NO. OF LAMPS 2 3 (T5/T5HO only)	SHIELDING PMW - Perforated Metal with White Overlay	OPTIONS CM - Canadian Market 1/2 - One 2-lamp ballast (electronic or non-standard) 1/21 - 2-lamp & 1-lamp ballasts (electronic or non-standard) EB - Electronic ballast, <20% THD EB10I - CF40 Electronic ballast, instant start, <10% THD EB10R - Electronic ballast, program rapid start, <10% THD EBD - Electronic dimming ballast E1 - DEB-1 emerg. ballast, T8 lamps, 350-450 lumens E7 - DEB-7 emerg. ballast, T8 lamps, 600-700 lumens E5 - DEB-5 emerg. ballast, T8 lamps 1100-1400 lumens E7LP - DEB-7LP emerg. ballast T5/T5HO, 430-700 lumens E6 - DEB-6LP emerg. ballast, T5/T5HO lamps, 750-1325 lumens F1 - Installed flex, 3/8" diameter, 18 gauge, 3 wire, 6' F2 - Installed flex, 3/8" diameter, 18 gauge, 4 wire, 6' GLR# - Fusing, fast blow (# = number of ballasts) LPT835 - Installed lamps, 80+ CRI, 3500K

JOB INFORMATION

0407.1-AR

Ariosso® MID-DEPTH SEMI-RECESSED 2' x 2'

DIMENSIONS



PHOTOMETRIC DATA

CATALOG # 2AVDG2CF40-PMW-1/2-EB LAMPS = 40wT5
 TEST #27590 S/MH= 1.3

INPUT WATTS = 70
 BALLAST = ELECTRONIC BALLAST FACTOR = .88

LER = 52

COMPARATIVE YEARLY LIGHTING ENERGY COST PER 1000 LUMENS = \$4.62 BASED ON 3000 HRS. AND \$.08 PER KWH.

FIXTURE EFFICIENCY= 65.6%

CANDLEPOWER			
Angle	End	45	Cross
0	1364	1364	1364
5	1362	1355	1356
10	1340	1338	1343
15	1306	1309	1323
20	1258	1272	1293
25	1200	1224	1256
30	1130	1169	1210
35	1046	1099	1154
40	955	1026	1097
45	856	947	1031
50	748	861	959
55	630	772	879
60	512	678	787
65	396	577	676
70	293	466	561
75	200	345	414
80	117	211	174
85	47	62	82

MAINTAINED ILLUMINATION TABLE- Square Feet/Fixture*						
<ul style="list-style-type: none"> 80-50-20 Reflectances (Ceiling-Wall-Floor) LLF = 0.75 3150 Lumens/Lamp very clean Room width divided by room height = 5 or more, 2 or 1 						
Fixture Size & # of Lamps	Room Width Room Height =	Approx. Area (sq. ft.) per Fixture				
		10 ft-c	30 ft-c	50 ft-c	70 ft-c	100 ft-c
2' X 2' 2 Lamp CF40	5 2	- -	106 71	64 43	46 30	32 -
	1	-	51	31	-	-

*Observe Fixture S/MH Requirements for Specific Applications

AVERAGE LUMINANCE CD/SQ.M WITH 3150 LUMEN LAMPS			
ANGLE	END	45°	CROSS
45	3258	3604	3924
55	2956	3622	4124
65	2521	3674	4304
75	2079	3587	4304
85	1451	1914	2532

Room Size	TYPICAL V.C.P.'s Mounting Height			
	Lengthwise	Crosswise	8.5	10
30x30	44	48	37	41
40x40	42	44	37	38
60x30	46	49	42	45
60x60	43	42	37	38
100x100	45	44	39	39

COEFFICIENT OF UTILIZATION							
pfc pcc pw	20		70		50		
	70	50	30	70	50	30	
RCR	0	78	78	78	76	76	72
	1	70	68	65	68	66	63
	2	64	58	54	63	56	55
	3	57	51	46	56	50	47
	4	53	45	39	52	44	42
	5	48	40	34	47	40	38
	6	45	35	29	44	35	34
	7	41	33	27	40	32	30
	8	39	29	23	38	28	28
	9	35	27	22	34	27	26
	10	34	25	20	33	25	23

LIGHT DISTRIBUTION			
DEGREES	LUMENS	% LAMP	% FIXTURE
0-30	1064	16.9	25.7
0-40	1753	27.8	42.4
0-60	3162	50.2	76.5
0-90	4134	65.6	100.0

LLF = .75 LLF = LIGHT LOSS FACTOR LLF = LDD X LLD X BF LDD = VERY CLEAN 0.94 CLEAN 0.90
 LLD = 0.90 @ 40% RATED LAMP LIFE BF = .88 ELECTRONIC BALLAST & 40wT5 LAMP (RELAMP AT 70% LAMP LIFE)

PHOTOMETRIC DATA

CATALOG # 2AVDG317-PMW-1/3-EB LAMPS = F17T8
 TEST #27895 S/MH= 1.3

INPUT WATTS = 47
 BALLAST = ELECTRONIC BALLAST FACTOR = .93

LER = 53

COMPARATIVE YEARLY LIGHTING ENERGY COST PER 1000 LUMENS = \$4.53 BASED ON 3000 HRS. AND \$.08 PER KWH.

FIXTURE EFFICIENCY= 67.2%

CANDLEPOWER			
Angle	End	45	Cross
0	875	875	875
5	869	871	871
10	856	861	864
15	833	843	850
20	804	817	831
25	765	785	806
30	720	749	780
35	665	707	748
40	609	662	712
45	545	611	672
50	471	557	621
55	396	498	564
60	320	435	514
65	247	368	457
70	182	307	380
75	124	237	256
80	70	131	124
85	27	54	71

MAINTAINED ILLUMINATION TABLE- Square Feet/Fixture*						
<ul style="list-style-type: none"> 80-50-20 Reflectances (Ceiling-Wall-Floor) LLF = 0.81 1325 Lumens/Lamp very clean Room width divided by room height = 5 or more, 2 or 1 						
Fixture Size & # of Lamps	Room Width Room Height =	Approx. Area (sq. ft.) per Fixture				
		10 ft-c	30 ft-c	50 ft-c	70 ft-c	100 ft-c
2' X 2' 3 Lamp T8	5 2	- -	75 149	45 50	32 -	- -
	1	-	108	36	-	-

*Observe Fixture S/MH Requirements for Specific Applications

AVERAGE LUMINANCE CD/SQ.M WITH 1325 LUMEN LAMPS			
ANGLE	END	45°	CROSS
45	1878	2027	2316
55	1617	1930	2303
65	1286	1781	2379
75	928	1590	1917
85	381	621	1001

Room Size	TYPICAL V.C.P.'s Mounting Height			
	Lengthwise	Crosswise	8.5	10
30x30	58	61	53	56
40x40	57	58	54	55
60x30	61	63	58	60
60x60	57	57	54	54
100x100	60	59	56	56

COEFFICIENT OF UTILIZATION						
pfc pcc pw	20		70		50	
	70	50	30	70	50	30
RCR	0	80	80	78	78	75
	1	72	68	66	70	65
	2	66	59	55	64	58
	3	59	52	46	57	51
	4	55	46	40	53	45
	5	50	40	34	48	40
	6	46	36	30	45	35
	7	42	34	27	41	33
	8	40	30	25	39	29
	9	36	28	22	35	28
	10	34	26	20	34	25

LIGHT DISTRIBUTION			
DEGREES	LUMENS	% LAMP	% FIXTURE
0-30	683	17.2	25.6
0-40	1126	28.3	42.1
0-60	2032	51.1	76.0
0-90	2671	67.2	100.0

LLF = .81 LLF = LIGHT LOSS FACTOR LLF = LDD X LLD X BF LDD = VERY CLEAN 0.94 CLEAN 0.90
 LLD = 0.93 @ 40% RATED LAMP LIFE BF = .93 ELECTRONIC BALLAST & T8 LAMP (RELAMP AT 70% LAMP LIFE)

0407.1-AR

DAY-BRITE LIGHTING • www.daybritelighting.com
 776 South Green Street • Tupelo, Mississippi 38804 • PH: (662) 842-7212 • FAX: (662) 841-5501
CANADIAN DIVISION
 189 Bullock Drive • Markham, Ontario L3P 1W4 • PH: (905) 294-9570 • FAX: (905) 294-9811
 ©FEBRUARY 2010 DAY-BRITE LIGHTING DAY-BRITE RESERVES THE RIGHT TO MAKE CHANGES WITHOUT NOTICE.

PHILIPS
Day-Brite