

**2 or 3 Lamp
T5, T5HO, or CF TT5
Semi-Recessed Direct/Indirect**

APPLICATION

- Architectural recessed direct/indirect lighting for glare free illumination.
- Suitable for use in grid inverted T (NEMA "G") ceilings.
- For applications where plenum depth is limited.
- Suitable for row mounting.
- Style matched to Arioso surface.

CONSTRUCTION/FINISH

- No visible welding, screws, latches, springs, hooks, rivets or plastic supports.
- Soft white baked enamel finish.
- Easy ballast access through removable back reflector.
- Optional hold down clips available. (Order separately: cat # AVHD)

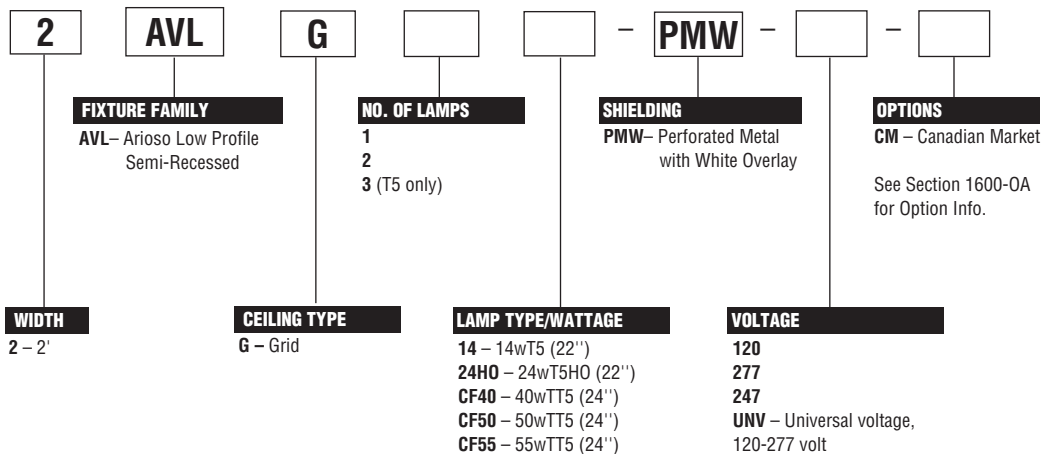
ELECTRICAL

- Class P, HPF ballasts comply with ©Federal Ballast Law (Public Law 100-357, 1988).
- UL listed for damp locations. C.S.A. certified optional.
- Self-contained fluorescent emergency power pack can be incorporated.

ENCLOSURES

- Micro-perforated mesh lamp shield provides soft awareness of light source.
- Swing down lamp shield for easy relamping.
- Soft white overlay on inside of micro-perforated mesh conceals lamp image and balances reflected and direct light.

CATALOG NUMBER

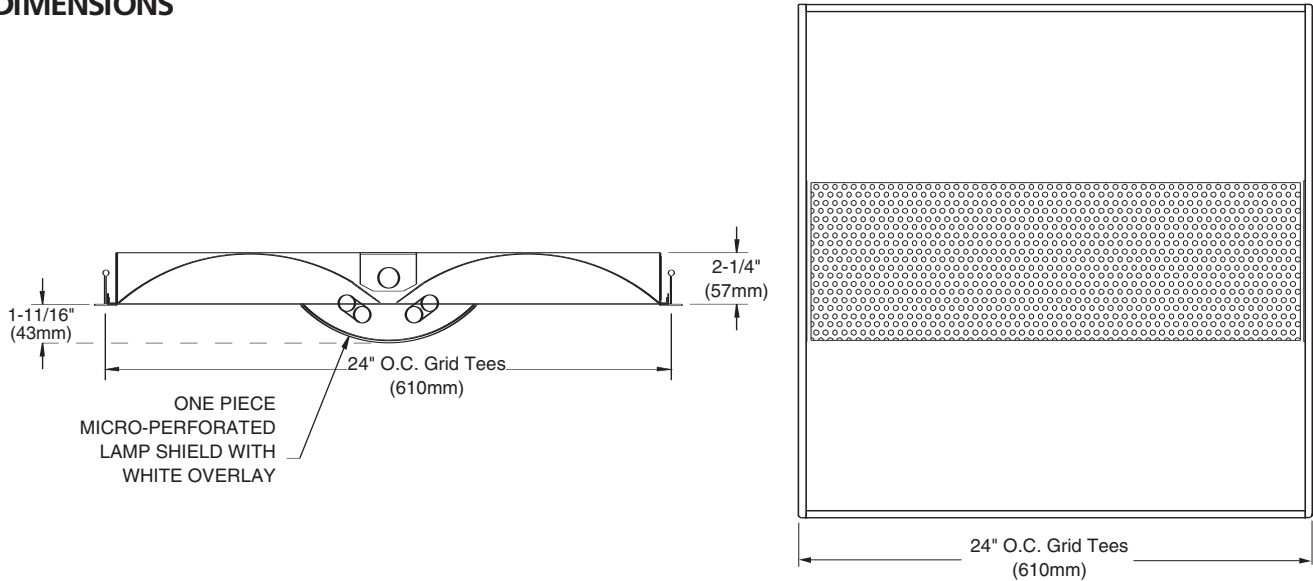


NOTES:

- With generic Electronic Ballasts (Brand selected by Day-Brite)
Suffix Catalog # with - **Ballast Quantity** - / - **EB Lamps Per Ballast**.

Example: -1/2-EB = One 2 Lamp Electronic Ballast.

DIMENSIONS



PHOTOMETRIC DATA

CATALOG # 2AVLG2CF40-PMW-1/2-EB LAMPS = 40wT5
 TEST #F21272A S/MH= 1.3

INPUT WATTS = 68
 BALLAST = ELECTRONIC BALLAST FACTOR = .88

LER = 50

COMPARATIVE YEARLY LIGHTING ENERGY COST PER 1000 LUMENS = \$4.30 BASED ON 3000 HRS. AND \$.08 PER KWH.

FIXTURE EFFICIENCY= 60.9%

CANDLEPOWER				
Angle	End	45	Cross	
0	1187	1187	1187	
5	1174	1186	1190	
15	1124	1148	1160	
25	1027	1069	1098	
35	888	962	1013	
45	714	825	909	
55	513	681	796	
65	308	536	679	
75	148	404	531	
85	36	182	255	
95	0	1	13	
105	0	0	1	
115	0	0	1	
125	0	1	1	
135	0	0	0	
145	0	0	0	
155	0	1	1	
165	0	0	0	
175	0	0	0	

MAINTAINED ILLUMINATION TABLE- Square Feet/Fixture*

- 80-50-20 Reflectances (Ceiling-Wall-Floor)
- LLF = 0.84 3150 Lumens/Lamp very clean
- Room width divided by room height = 5 or more, 2 or 1

Fixture Size & # of Lamps	Room Width Room Height =	Approx. Area (sq. ft.) per Fixture				
		10 ft-c	30 ft-c	50 ft-c	70 ft-c	100 ft-c
2' X 2'	5	-	97	58	41	-
2 Lamp	2	-	64	38	-	-
	1	139	46	-	-	-

*Observe Fixture S/MH Requirements for Specific Applications

AVERAGE LUMINANCE CD/SQ.M WITH 3150 LUMEN LAMPS

ANGLE	END	45°	CROSS
45	2763	3114	3517
55	2385	3058	3700
65	1864	3087	4108
75	1342	3386	4809
85	691	2967	4885

TYPICAL V.C.P.'s

Room Mounting Height Size Lengthwise Crosswise	Mounting Height			
	8.5	10	8.5	10
30x30	43	50	32	39
40x40	39	43	29	33
60x30	42	48	37	43
60x60	36	39	26	29
100x100	36	37	26	27

COEFFICIENT OF UTILIZATION

pfc pcc pw RCR	20		70		50	
	70	50	30	70	50	30
0	71	71	71	70	70	68
1	65	61	58	63	59	57
2	58	53	48	56	52	47
3	53	46	40	52	45	40
4	48	40	34	46	40	34
5	45	35	30	42	35	29
6	40	33	27	40	32	27
7	38	29	23	36	28	23
8	34	27	22	34	26	20
9	33	25	19	32	23	19
10	30	23	17	29	22	17

LIGHT DISTRIBUTION

DEGREES	LUMENS	% LAMP	% FIXTURE
0-30	927	14.7	24.2
0-40	1525	24.2	39.8
0-60	2753	43.7	71.8
0-90	3825	60.7	99.7
90-180	10	0.2	0.3
0-180	3835	60.9	100.0

LLF = .74 LLF = LIGHT LOSS FACTOR LLF = LDD X LLD X BF LDD = VERY CLEAN 0.94 CLEAN 0.90
 LLD = 0.90 @ 40% RATED LAMP LIFE BF = .99 ELECTRONIC BALLAST & 40wT5 LAMP (RELAMP AT 70% LAMP LIFE)