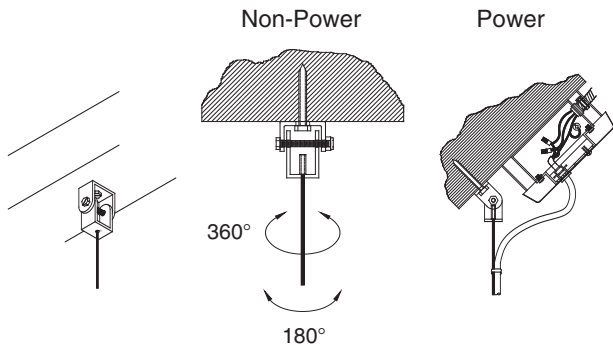
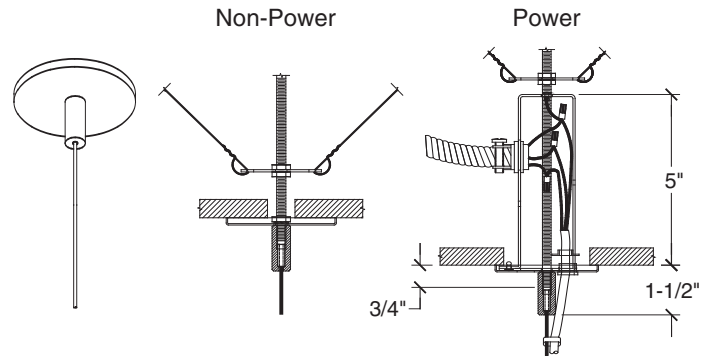


**CABLE HANGER MOUNTING OPTIONS**

**M1**

Support Connection at Ceiling  
 Seismic certified to UBC/NBC Zone 4.0 1000 lbs. minimum  
 Canopy: 5-1/4" dia. x 3/4"  
 Cable: 1 x 7 stainless steel aircraft cable factory crimped  
 Mountable on 0° to 15° sloped ceiling  
 J-box: 4" octagonal box (supplied by others)  
 Fully adjustable vertically at fixture



**M2**

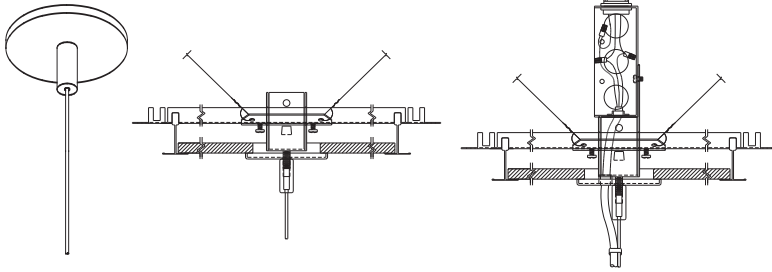
Support Connection Above Ceiling  
 Seismic certified to UBC/NBC Zone 4.0 1000 lbs. minimum  
 Canopy: 3" dia. x 1/8"  
 Non-power tile cut-out hole 3/4" dia.  
 Power tile cut-out hole 2-1/2" dia.  
 Cable: 1 x 7 stainless steel aircraft cable factory crimped  
 J-box: Integral J-Box supplied  
 1/4-20 all thread (supplied by others)  
 Fully adjustable vertically at fixture

**M3**

Support Connection to Structure  
 Seismic certified to UBC/NBC Zone 4.0 1000 lbs. minimum  
 Power Canopy: 5-1/4" dia. x 3/4"  
 Cable: 1 x 7 stainless steel aircraft cable factory crimped  
 Versatile mount, fully adjustable to accommodate open, sloped ceilings  
 J-box: 4" octagonal box (supplied by others)  
 Fully adjustable vertically at fixture

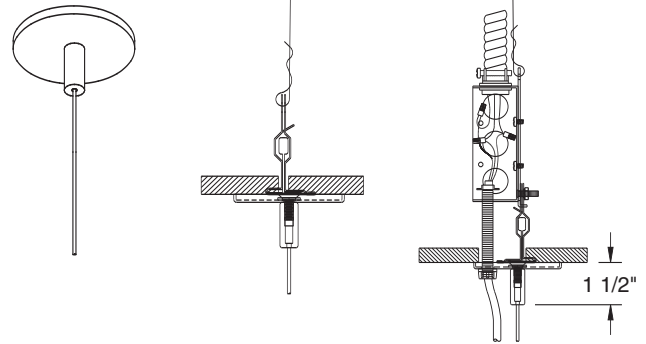
Non-Power

Power



Non-Power

Power



**M5**

Support Connection to T-Bar (mounting in tile between T-bars)

Seismic certified to UBC/NBC Zone 4.0 1000 lbs. minimum

Canopy: 3" dia. x 1/8"

Tile cut-out hole 2-1/4" dia.

Cable: 1 x 7 stainless steel aircraft cable factory crimped

Supported by T-bar and secured to structure

J-box: 4" square (supplied by others)

Fully adjustable vertically at fixture

**M6**

Support Connection to T-Bar (mounting on T-bar)

Power Canopy: 3" dia. x 1/8"

Power tile cut-out 1" radius

Cable: 1 x 7 stainless steel aircraft cable factory crimped

Supported by T-bar and secured to structure

J-box: 4" square (supplied by others)

Fully adjustable vertically at fixture

**CORD STYLES**

1 Circuit

Max. 10 amps per power feed

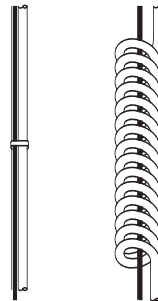
1 circuit (2 conductors plus ground) per hanger

120 and 277V applications (white cord):

- straight power cord, SVT 18/3, 20' max
- coiled power cord, SVT 18/3, 8' max

347V applications (light gray cord)

- straight power cord, 600V 18/3, 20' max
- coiled power cord N/A



2 Circuit

Max. 10 amps per power feed

2 circuits (4 conductors plus ground) per hanger

120 and 277V applications (white cord):

- straight power cord, SVT 18/3, 20' max
- coiled power cord, SVT 18/3, 8' max

347V applications (light gray cord)

- straight power cord, 600V 18/3, 20' max
- coiled power cord N/A

